

COMPRESSED AIR COOLING | Air UPA Series

COPPER TUBE CONSTRUCTION

Features

- Full Line of Sizes and Features
- Energy Efficient
- High Performance
- Low flows to 100 CFM
- Horizontal or Vertical Air Flow
- Lightweight, may be Shipped UPS
- Ratings Based on Comprehensive Testing
- Attractive, Durable Baked Enamel Finish
- Floor or Suspended Mounting



Shown with optional moisture separators

Ratings

- Maximum Operating Pressure** 250 PSIG
- Maximum Operating Temperature** 350° F

Materials

- Cabinet** Steel with Baked Enamel Finish
- Core** Aluminum Fins on Copper Tubes
- Fan** Heave Gauge Aluminum with Steel Hub
- Motor** Open Vented
- Fan Guard** Zinc Chromate Plated Steel

How to Order

UPA

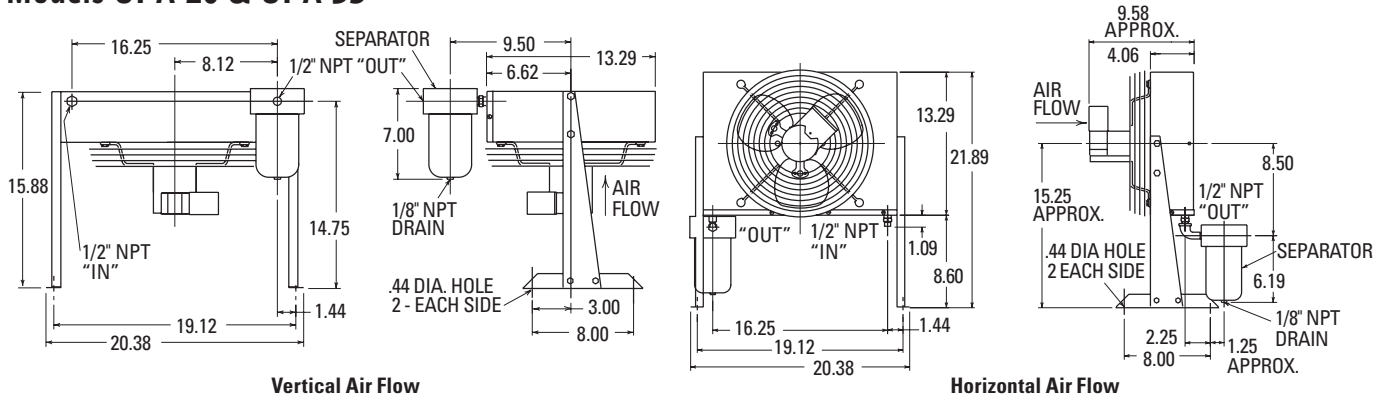
-

Model Series
UPA

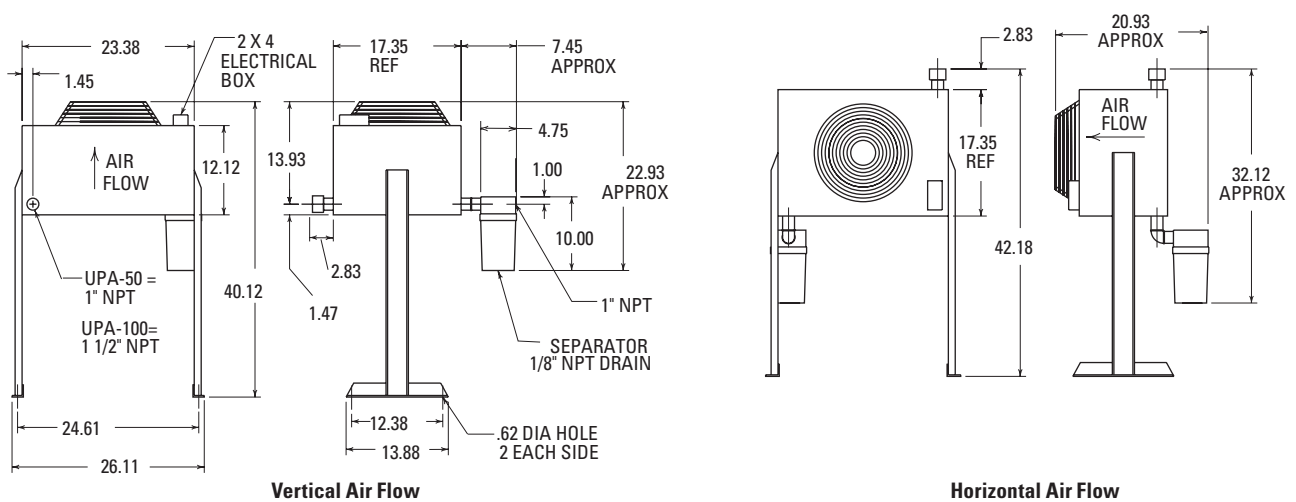
Model Size Selected

Dimensions

Models UPA-20 & UPA-35



Models UPA-50 & UPA-100



Note: We reserve the right to make reasonable design changes without notice. All dimensions are in inches.

Capacity Selection Chart Max. SCFM @ 5, 10, 15 and 20°F Approach

Inlet Temp. °F	150				200				250				300				350				Recommended Optional Separator Model Number	
	5	10	15	20	5	10	15	20	5	10	15	20	5	10	15	20	5	10	15	20		
Model Number	UPA-20	17	35*	35*	35*	11	22	35	35*	8	16	20	35	6	12	19	26	5	10	15	21	S-50M or AD
	UPA-35	29	43*	43*	43*	17	36	43*	43*	12	27	35	42*	10	20	31	42*	8	16	26	35	
	UPA-50	43	72	72*	72*	28	50	70	72*	22	35	50	70	18	32	45	57	15	28	39	50	S-100M or AD
	UPA-100	95	125*	125*	125*	66	111	125*	125*	52	88	100	125*	44	74	100	125	38	64	86	108	

Above specifications are based on 80 to 125 PSIG operating pressures. Maximum pressure drop, less than 3 psi.
 A flexible metal hose must be properly installed between the compressor and aftercooler to validate warranty.
 *Maximum ratings restricted by pressure drop, actual thermal capacities are higher.

Electric Motor & Fan Data

Model	Fan CFM	Motor H.P.	Voltage	Phase	Full Load Amps	Hz	RPM	Nema Frame	Thermal Overload	Approx. Shipping Weight (Lbs.)
UPA-20	615	1/12	115/230	1	2.4/1.2	60	1550	Custom	Yes	25
UPA-35					2.7/1.4	50	1300			27
UPA-50	945	1/12	115/230	1	2.7/1.4	50	1300	Custom	Yes	61
UPA-100										67

Published electrical ratings are approximate, and may vary because of motor brand. Actual ratings are on motor nameplate.