

Models 541, 542 and 548

KUNKLE

ASME Section VIII, Brass, Air/Gas, 'UV', National Board Certified

Features

- **High capacity** with small size.
- **Every valve is 100% tested/inspected** for pressure setting and leakage.
- **Factory sealed** to prevent tampering or disassembly.

Model Descriptions

Model 541: 1/4-inch or 1/2-inch Male NPT inlet. Brass body and seat with BUNA-N ball or flat seal. Exceptional seat tightness performance.

Model 542: Same as Model 541 except Viton® ball or flat seal.

Model 548: Same as Model 541 except SS ball seal.

Applications

- Small to medium size, single and multi-stage, air compressors, intercoolers, aftercoolers, instrument/control air lines and systems.
- Air tanks/receivers and pressurized equipment.

Pressure and Temperature Limits

Model 541:

3 to 200 psig [0.2 to 13.8 barg]
-40° to 200°F [-40° to 93°C]

Model 542:

3 to 200 psig [0.2 to 13.8 barg]
-10° to 300°F [-23° to 149°C]

Model 548:

3 to 400 psig [0.2 to 27.6 barg]
-60° to 400°F [-34° to 204°C]



tyco / Flow Control

Total Flow Control Solutions™

Kunkle is either a trademark or registered trademark of Tyco International Services AG or its affiliates in the United States and/or other countries. All other brand names, product names, or trademarks belong to their respective holders.

Models 541, 542 and 548

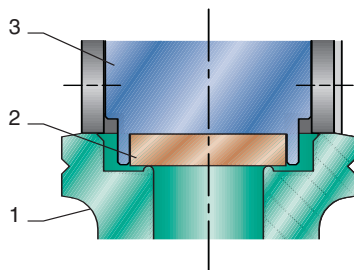
Parts and Materials

Models 541, 542 and 548

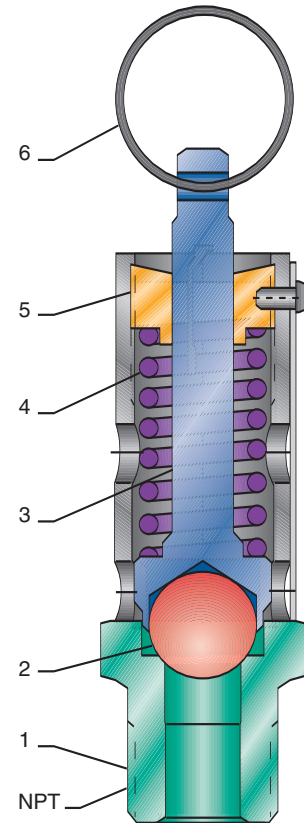
No.	Part Name	Materials
1	Body	Brass, B16
2	Seat ¹	Model number changes with seat material
3	Disc Holder	Brass, B16
4	Spring	SS, A313-631
5	Compression Screw	Brass, B16
6	Lift Ring	SS, A313

Notes

1. Seat material: Model 541 BUNA-N, Model 542 Viton® A, and Model 548 SS, A756 440C.
2. Viton® is a registered trademark of DuPont Dow Elastomers.



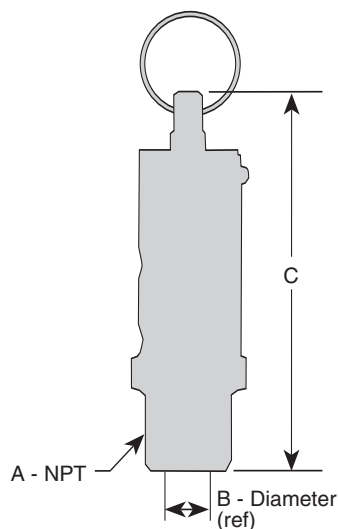
**Models 541C and 542-C
Seat Configuration**



Models 541-A, 542-A, 548

Specifications

Size Inlet	Dimensions, in [mm]			Weight lb (kg)
	A	B	C	
1/4"	1/4 - 18	0.295 [7.5]	2.88 [73.2]	0.2 (0.1)
1/2"	1/2 - 14	0.422 [10.7]	3.62 [91.9]	0.5 (0.23)



Models 541, 542 and 548

Capacities

ASME Section VIII Air, (English, SCFM)

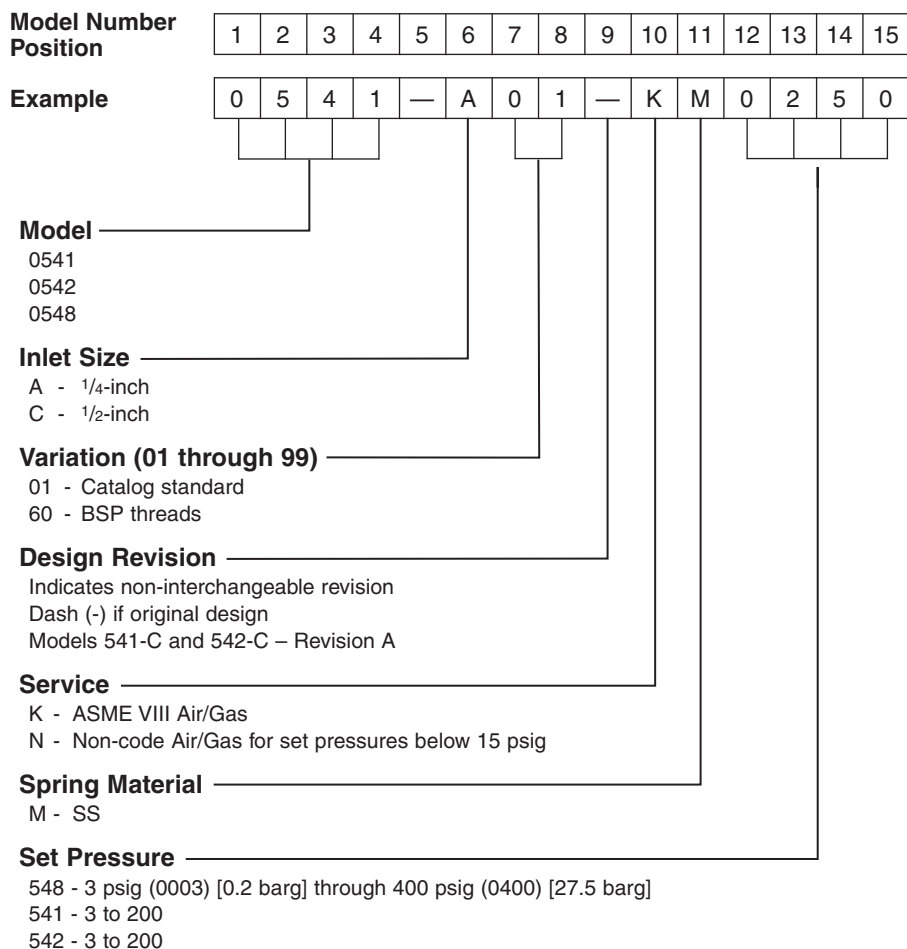
Set Pressure (psig)	Inlet	
	1/4"	1/2"
3	12	23
5	16	31
10	23	47
15	31	62
20	37	73
25	42	84
50	70	139
75	97	194
100	125	249
125	152	304
150	180	359
175	207	414
200	235	469
225	262	524
250	290	579
275	317	634
300	345	689
325	372	744
350	400	799
375	427	854
400	455	909

ASME Section VIII Air, [Metric, Nm³/h]

Set Pressure [barg]	Inlet	
	7 mm	15 mm
1.7	67	135
3.5	114	227
5.0	152	304
7.0	203	407
9.0	255	509
13.0	357	715
15.0	409	818
17.0	460	920
19.0	511	1023
21.0	563	1126
23.0	614	1228
25.0	665	1331
27.0	717	1434
27.5	730	1459

Models 541, 542 and 548

Model Number/Order Guide



Facility Phone: 828-669-3700

Tyco Valves & Controls

www.kunklevalve.com

Tyco Flow Control (TFC) provides the information herein in good faith but makes no representation as to its comprehensiveness or accuracy. This data sheet is intended only as a guide to TFC products and services. Individuals using this data sheet must exercise their independent judgment in evaluating product selection and determining product appropriateness for their particular purpose and system requirements. TFC MAKES NO REPRESENTATIONS OR WARRANTIES, EITHER EXPRESS OR IMPLIED, INCLUDING WITHOUT LIMITATION ANY WARRANTIES OF MERCHANTABILITY OR FITNESS FOR A PARTICULAR PURPOSE WITH RESPECT TO THE INFORMATION SET FORTH HEREIN OR THE PRODUCT(S) TO WHICH THE INFORMATION REFERS. ACCORDINGLY, TFC WILL NOT BE RESPONSIBLE FOR DAMAGES (OF ANY KIND OR NATURE, INCLUDING INCIDENTAL, INDIRECT, OR CONSEQUENTIAL DAMAGES) RESULTING FROM THE USE OF OR RELIANCE UPON THIS INFORMATION. Patents and Patents Pending in the U.S. and foreign countries. Tyco reserves the right to change product designs and specifications without notice.