

Model 299

KUNKLE**Drip Pan Elbow****Features**

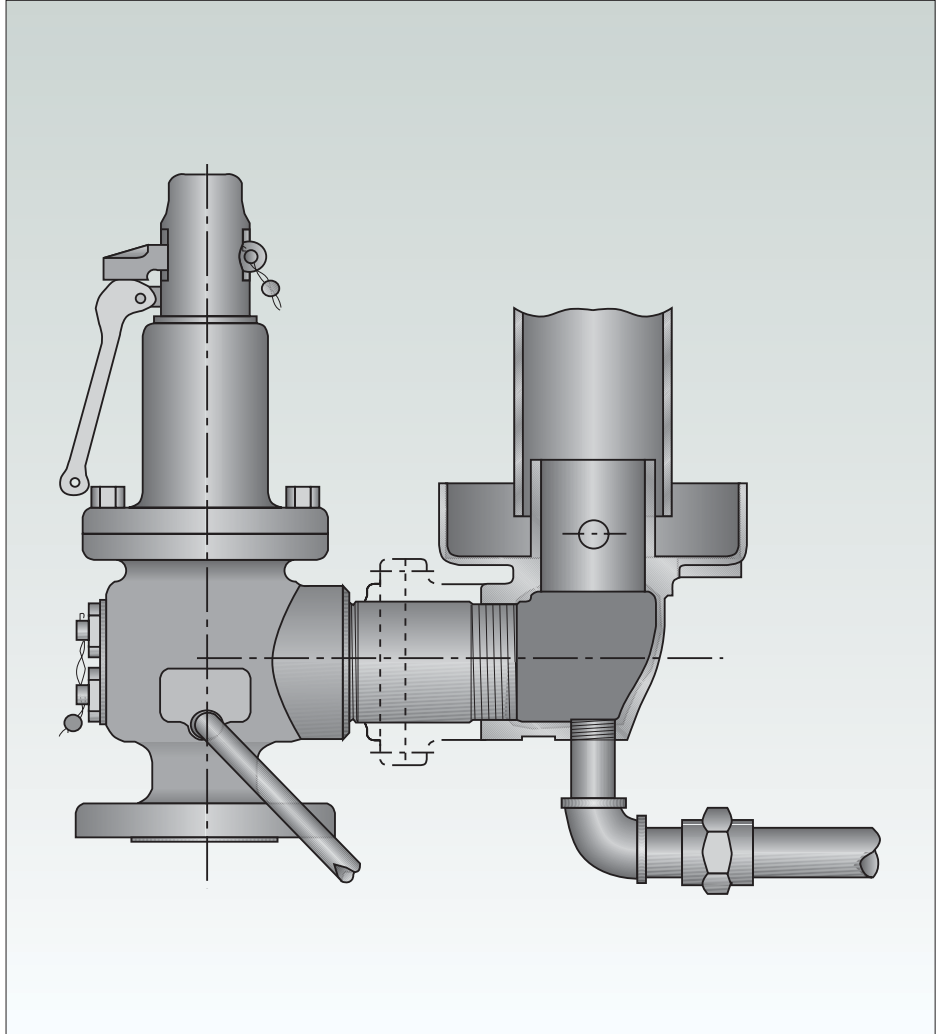
The above illustration shows a discharge elbow and drip pan unit attached to a safety valve with female NPT outlet.

For safety valves with flanged outlets – 2-inch to 4-inch – use companion flange, short nipple and drip pan elbow, all same size as valve outlet. 6- and 8-inch elbows have integral 125# ANSI B16.1 Flange.

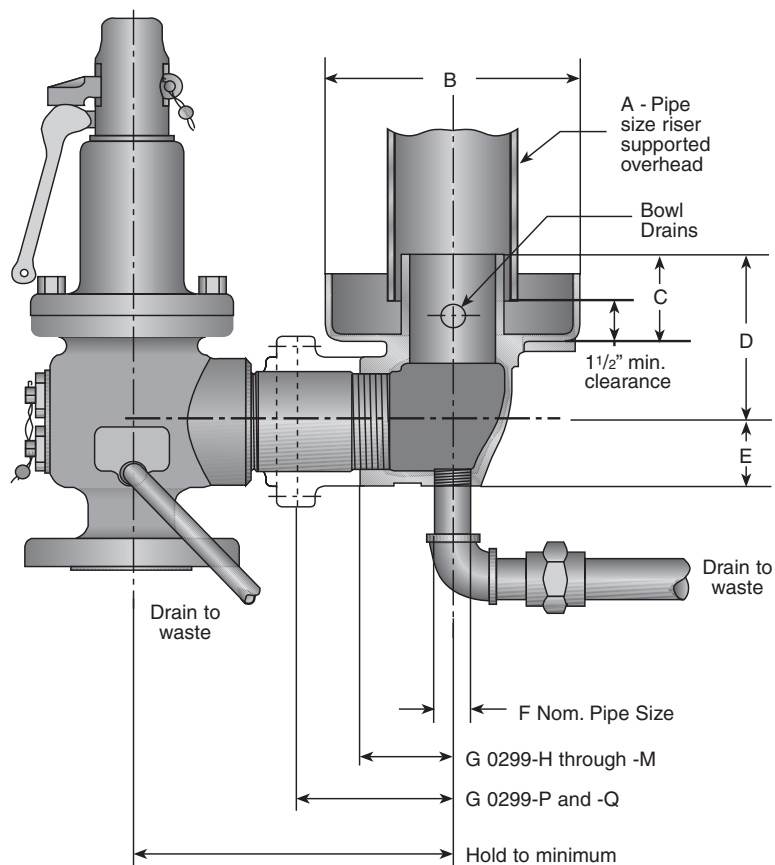
Important - Length of discharge piping must be kept to a minimum. For design considerations see articles: "Steam Flow Through Safety Valve Vent Pipes" by H.E. Brandmaier and M.E. Knebel (Dec. 1975) and "Analysis of Power Plant Safety and Relief Valve Vent Stacks" by G.S. Liao (Nov. 1974) available through ASME Publications.

Applications

Recommended installation on outlet/discharge pipe for safety valves. Used on steam service.



Model 299



Dimensions, in

Model	Size ¹	Dimensions, in							Weight (lb)
		A	B	C	D	E	F	G	
0299-H	2"	3	6 ¹ / ₄	2 ³ / ₈	3 ⁵ / ₈	1 ⁵ / ₈	1/2 NPT	2 ¹ / ₄	7 ¹ / ₂
0299-J	2 ¹ / ₂ "	3 ¹ / ₂ or 4	7 ³ / ₈	3	4 ⁵ / ₁₆	1 ¹⁵ / ₁₆	3/4 NPT	2 ¹¹ / ₁₆	14
0299-K	3"	4	8	3 ¹ / ₂	4 ⁷ / ₈	2 ⁵ / ₁₆	3/4 NPT	3 ¹ / ₈	19
0299-M	4"	6	9 ⁵ / ₈	4 ¹ / ₂	5 ³ / ₄	2 ⁷ / ₈	3/4 NPT	3 ³ / ₄	36
0299-P	6"	8	12 ³ / ₄	6 ⁵ / ₈	7 ⁹ / ₁₆	4 ³ / ₁₆	3/4 NPT	8	98
0299-Q	8"	10	16 ¹ / ₂	7 ¹ / ₂	9 ⁹ / ₁₆	5 ³ / ₈	1 NPT	10 ³ / ₄	180

Note

1. Safety valve outlet and drip pan elbow size.

Facility Phone: 828-669-3700

Tyco Valves & Controls

www.kunklevalve.com

Tyco Flow Control (TFC) provides the information herein in good faith but makes no representation as to its comprehensiveness or accuracy. This data sheet is intended only as a guide to TFC products and services. Individuals using this data sheet must exercise their independent judgment in evaluating product selection and determining product appropriateness for their particular purpose and system requirements. TFC MAKES NO REPRESENTATIONS OR WARRANTIES, EITHER EXPRESS OR IMPLIED, INCLUDING WITHOUT LIMITATION ANY WARRANTIES OF MERCHANTABILITY OR FITNESS FOR A PARTICULAR PURPOSE WITH RESPECT TO THE INFORMATION SET FORTH HEREIN OR THE PRODUCT(S) TO WHICH THE INFORMATION REFERS. ACCORDINGLY, TFC WILL NOT BE RESPONSIBLE FOR DAMAGES (OF ANY KIND OR NATURE, INCLUDING INCIDENTAL, INDIRECT, OR CONSEQUENTIAL DAMAGES) RESULTING FROM THE USE OF OR RELIANCE UPON THIS INFORMATION. Patents and Patents Pending in the U.S. and foreign countries. Tyco reserves the right to change product designs and specifications without notice.