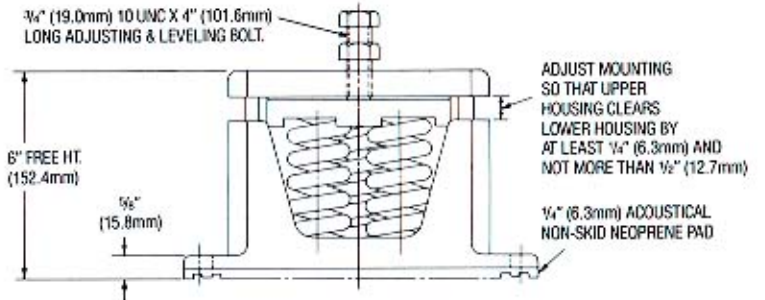
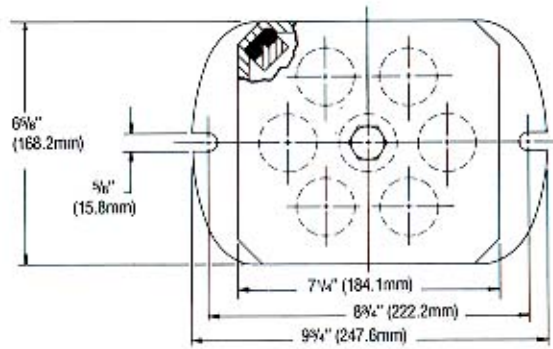


## TYPE CE-7



Mounting	Max. Load, lbs. (Kg)	Spring Color	Defl., ins. (mm)
CE-7-25	3150 (1428.8)	Red	1.22 (30.9)
CE-7-26	4200 (2041.2)	Purple	1.17 (29.7)
CE-7-27	5250 (2381.4)	Orange	1.06 (26.9)
CE-7-28	6300 (2857.6)	Green	1.02 (25.9)
CE-7-31	7700 (3492.7)	Gray	.83 (21.0)
CE-7-32	9100 (4127.7)	White	.74 (18.7)
★ CE-7-35	10500 (4762.8)	Gold	.70 (17.7)

★ Free height  $\frac{1}{8}$ " (12.7mm) higher than shown



## TYPE CT-7



Mounting	Max. Load, lbs. (Kg)	Spring Color	Defl., ins. (mm)
CT-7-25	3150 (1428.8)	Red	1.22 (30.9)
CT-7-26	4200 (2041.2)	Purple	1.17 (29.7)
CT-7-27	5250 (2381.4)	Orange	1.06 (26.9)
CT-7-28	6300 (2857.6)	Green	1.02 (25.9)
CT-7-31	7700 (3492.7)	Gray	.83 (21.0)
CT-7-32	9100 (4127.7)	White	.74 (18.7)
★ CT-7-35	10500 (4762.8)	Gold	.70 (17.7)

★ Free height  $\frac{1}{8}$ " (12.7mm) higher than shown

