

BACK-BLOW NOZZLES



USED FOR BLOWING CLEAN INSIDE PIPES

Nozzle 910 – pipe diam. 25 - 100 mm
1" - 4"

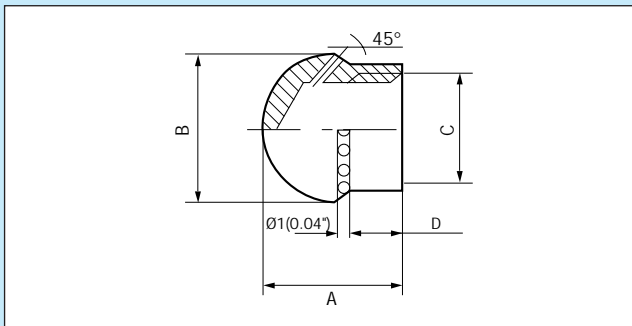
Nozzle 912 – pipe diam. 75 - 400 mm
3" - 16"

Silvent's back-blow nozzle is used for blowing clean inside pipes or channels. Cleaning out pipe during and after tooling has always been a problem. Blowing clean using conventional methods is impossible as chips are blown further into the pipe rather than out. Silvent's back-blow nozzle can handle blow-out of pipe diameters of up to 400 mm (16"). The nozzles are based upon and manufactured in accordance with manufacturer's patents, which means that both noise level and air consumption are kept to a minimum. They fully meet OSHA safety standards.



The picture shows blow-out of cylindrical pipe. An Silvent 910 nozzle has been mounted on a Silvent blowing gun fitted with a safety shield.

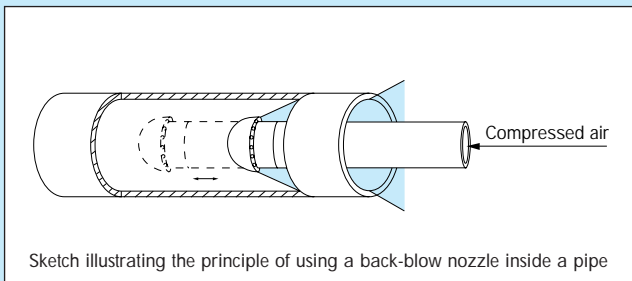
DIMENSIONS



PRODUCT INFORMATION

ORDER NR./MODEL		910	912
A	mm	17.5	53
	"	0.69	2.09
ØB	mm	18	43
	"	0.71	1.69
C	BSP	1/4"	1"
	NPT	1/4" - 18	1" - 11 1/2
D	mm	7	30
	"	0.27"	1.18"

WORKING PRINCIPLE



Air consumption	Nm ³ /h	38	91
	scfm	22.4	53.6
Sound level	dB(A)	86	90
Blowing force	N	5.5	13.2
	oz	19.4	46.6
Max. temp.	°C	-20/+250	-20/+250
	°F	-4/+482	-4/+482
Weight	g	14	215
	lbs	0.03	0.47
Nozzle material		Steel	

Further information in: Technical specifications.

Max. operating pressure: 1.0 MPa (143 psi)