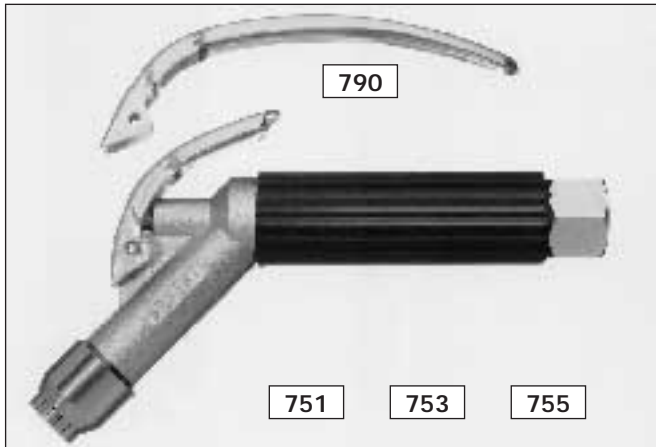


THE MOST POWERFUL GUNS ON THE MARKET



REPLACES BLOWING GUNS WITHOUT NOZZLES

With blowing pipe diameters 3 - 10 mm
1/8" - 3/8"

BENEFITS

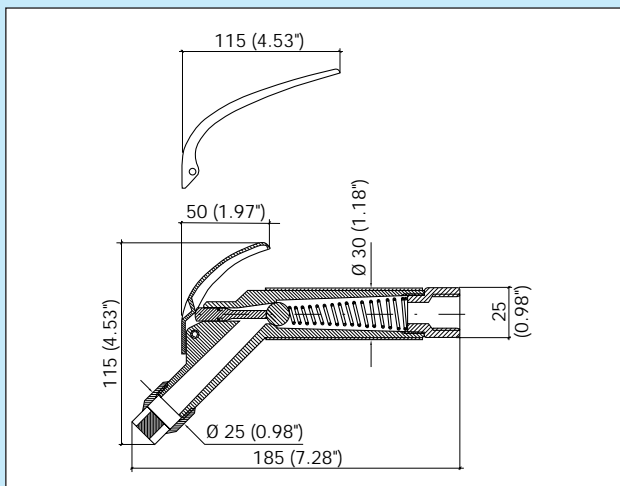
- Noise reduction – Halves the noise level
- Air consumption reduction – 20 - 40%
- Safety nozzle – Meets OSHA standards

The blowing guns of the 750 series have up to 7 times the blowing force of ordinary blowing guns available on today's market. In cases where all other blowing guns are lacking in efficiency or blowing force, the 750 series gets the job done. Despite its exceptional blowing force, it has a sound level comparable to that of a standard blowing gun. The 750 series blowing guns are equipped with a short thumb trigger to achieve an ergonomically correct grip, but can also be fitted with a long extended handle. This handle is supplied separately. Order number 790. Designed for use within the rubber industry, the paper industry, foundries, the food processing industries, etc. Meets OSHA safe requirements.



The picture shows blow-off of long, troublesome turnings using the Silvent 755 - a demanding job ordinary blowing guns are incapable of handling.

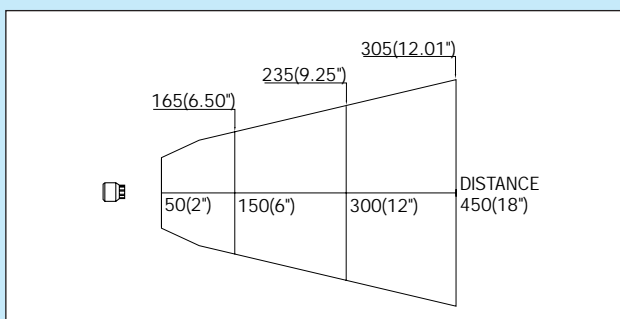
DIMENSIONS



PRODUCT INFORMATION

ORDER NO./ MODEL	751	753	755	
Nozzle	701	703	705	
Replaces open pipe	mm	4	7	10
	"	1/8	1/4	3/8
Air consumption	Nm ³ /h	21	57	95
	scfm	12.4	33.6	55.9
Sound level	dB(A)	82	89	93
Blowing force	N	3.2	9.6	15.0
	oz	11.3	33.9	52.9
Max. temp.	°C	-20/+70	-20/+70	-20/+70
	°F	-4/+158	-4/+158	-4/+158
Weight	g	480	480	480
	lbs	1.05	1.05	1.05
Connection	BSP	1/2"	1/2"	1/2"
	NPT	1/2"-14	1/2"-14	1/2"-14
Nozzle material	Stainless steel			

AIR CONE PATTERN



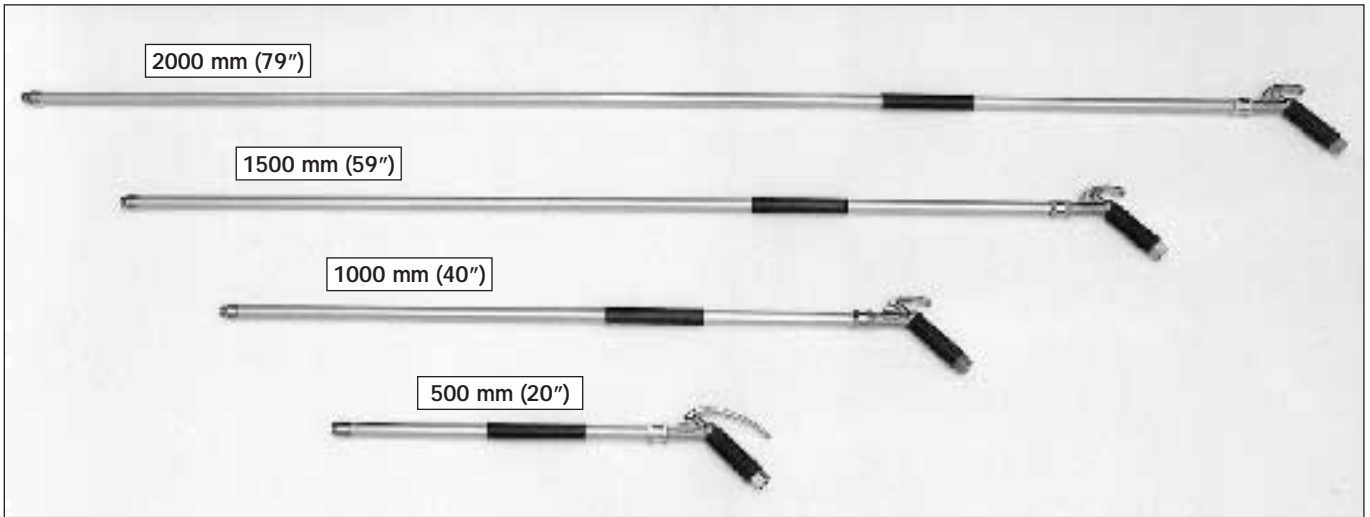
Further information in: Technical specifications.

Max. operating pressure: 1.0 MPa (143 psi)

UP TO 7 TIMES GREATER BLOWING FORCE

750 GUNS WITH EXTENDED BLOWING PIPES

All the guns in the 750 series are available with extended blowing pipes of aluminum. Four separate lengths can be ordered directly from stock as described below. Other lengths and materials are available upon request.



Ordering information:

When ordering 750 guns with extension pipes, be sure to specify the size of the gun as well as the length of the blowing pipe you desire, e.g. 755-1500



When manufacturing fabric, machine cylinders must be blown clean on a regular basis. In the picture above, a 753 gun fitted with a 1500 mm extension effectively reaches into the machine.



Foundries often require high blowing forces to clean out molds - molds that are normally large and impossible to reach into with an ordinary blowing gun. A Silvent 755 fitted with a 1000 mm extension gets the job done without difficulty.