

BLOWING GUN FOR UNIVERSAL BLOWING



REPLACES BLOWING GUNS WITHOUT NOZZLES

With blowing pipe diameters 3 - 4 mm
1/8"

BENEFITS

Noise reduction – Halves the noise level
Air consumption reduction – 20 - 50%
Safety nozzle – Meets OSHA standards

BLOWING GUN 572



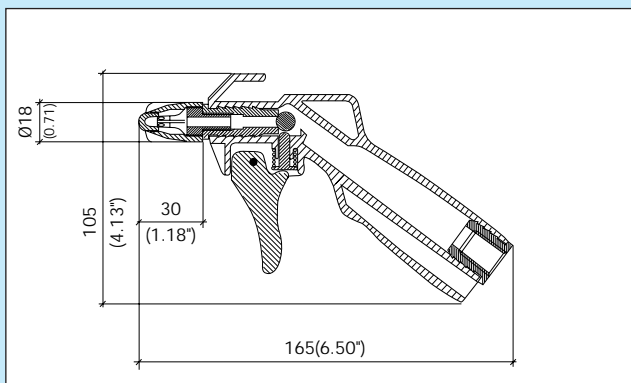
The Silvent 501 generates a broad and powerful air cone, making it especially efficient for sweeping over large areas. The flanges surrounding the nozzle accelerate the ambient air and amplify the blowing force. The world patented nozzle produces a very low noise level despite its high blowing force and low air consumption. The valve handle is ergonomically tested and offers the same advantages described for the Silvent 500 blowing gun. The nozzle meets OSHA safety requirements. Patented.

The Silvent 572 is supplied with a stainless steel nozzle (703), instead of the standard Silvent 501 nozzle in zinc (2120). It is used in applications where the nozzle is exposed to heavy mechanical wear or where increased blowing force is desired. This nozzle provides twice the blowing force of Silvent's standard blowing gun, the 501.

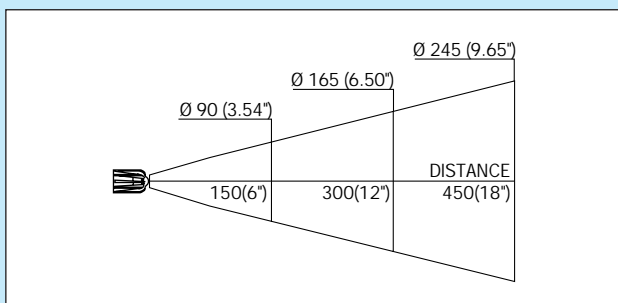
ACCESSORIES AND SPARE PARTS

- Nozzles. See the 008 gun.
- Self-coiling spiral hose. See: Accessories.

DIMENSIONS



AIR CONE PATTERN



PRODUCT INFORMATION

ORDER NO./ MODEL	501	
Replaces open pipe	mm	4
	"	1/8
Air consumption	Nm ³ /h	19
	scfm	11.2
Sound level	dB(A)	80
Blowing force	N	3.5
	oz	12.4
Max. temp.	°C	-20/+70
	°F	-4/+158
Weight	g	145
	lbs	0.32
Connection	BSP	1/4"
	NPT	1/4" - 18
Nozzle material	Zinc	

Further information in: Technical specifications.

Max. operating pressure: 1.0 MPa (143 psi)