

# SAFETY GUN WITH A SHORT TRIGGER



## REPLACES AIR GUNS WITHOUT NOZZLES

With blowing pipe diameters 3 - 4 mm  
1/8"

## BENEFITS

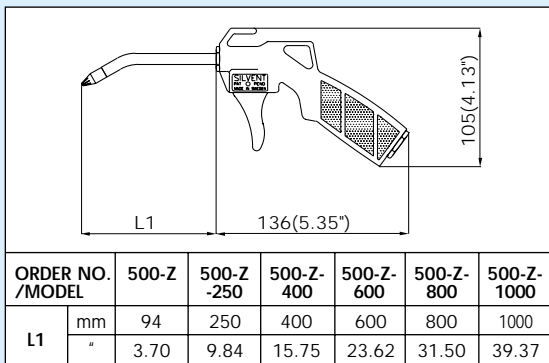
- Noise reduction – Halves the noise level
- Air consumption reduction – 20 - 50%
- Safety nozzle – Meets OSHA standards

SILVENT 500-Z is fitted with a slot nozzle of zinc and is suitable for general-purpose cleaning in environments where the nozzle is subject to little or no mechanical wear. The nozzle provides strong and extremely quiet blow-off power. The sound level generated is just 79 dB(A). For more aggressive environments we recommend our 500-L or 500-S safety guns with nozzles of stainless steel. The combination of an ergonomic handle and a short trigger for one or two fingers provides a perfect grip as well as the possibility to aim the gun with precision and feeling. The ergonomic design of the handle automatically gives you the optimal blowing position so that you do not need to bend your wrist. The trigger mechanism

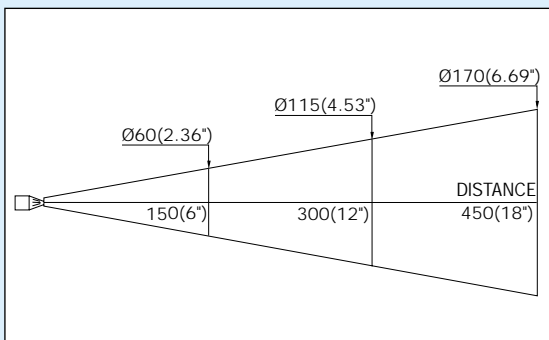
requires a pressure of only 7 N (24.7 oz), which means that the gun can be used frequently without the risk of taxing muscles. The average finger strength of men is 96 N (339 oz) and of women, 81 N (286 oz). When less than 10% of the maximum strength of a finger is used, no injury arises due to muscle strain. The gun features bottom connection and three possibilities for hanging. The knurled surface of the gun handle provides a comfortable and firm grip. Patented.

**Fully meets the EU Machine Directive's noise limitation requirements and OSHA's safety regulations.**

## DIMENSIONS



## AIR CONE PATTERN



## PRODUCT INFORMATION

ORDER NO./MODEL	500-Z	500-L	500-S
Nozzle	5001	1001	0071
Replaces open pipe	mm	4	4
	"	1/8	1/8
Air consumption	Nm <sup>3</sup> /h	19	25
	scfm	11.2	14.7
Sound level	dB(A)	79	83
Blowing force	N	3.2	4.2
	oz	11.3	14.2
Max. temp.	°C	-20/+70	-20/+70
	°F	-4/+158	-4/+158
Weight	g	145	145
	lbs	0.32	0.32
Connection	BSP	1/4"	1/4"
	NPT	1/4"-18	1/4"-18
Nozzle material	Zinc	Stainless steel	Stainless steel

Further information in tab: Technical specifications.

Max. operating pressure: 1.0 MPa (143 psi)

## CONCENTRATED AIR STREAM

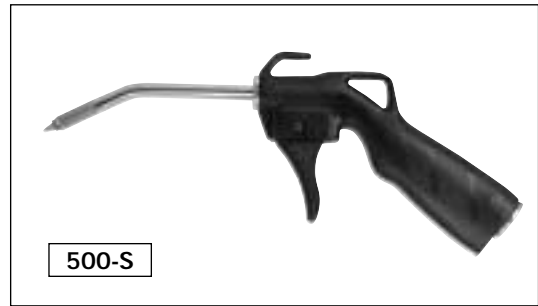


500-L

SILVENT 500-L has a stainless steel Laval nozzle. A Laval hole in the center of the nozzle creates a highly concentrated air stream that moves at supersonic speed. Around the Laval hole there are also a number of diverging slots that generate a powerful, quiet and laminar air flow. The combination provides superior cleaning performance and optimal utilization of the compressed air. The surrounding fins prevent direct contact between skin and the outlet holes. Patented.

**Fully meets the EU Machine Directive's noise limitation requirements and OSHA's safety regulations.**

## FOR EXTRA DURABILITY

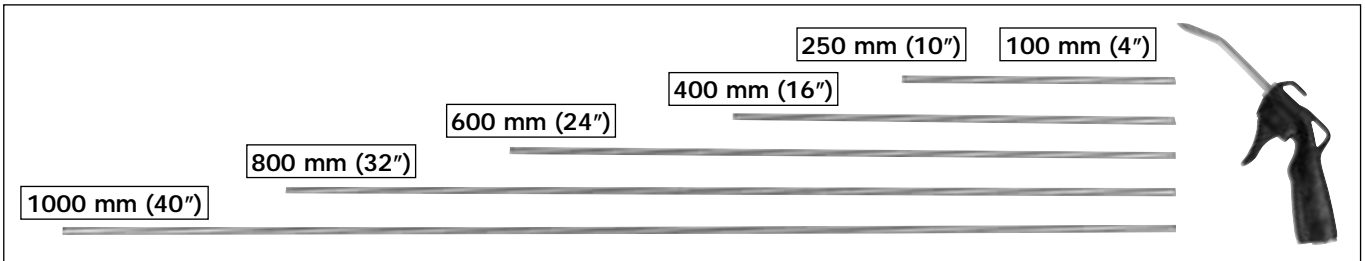


500-S

SILVENT 500-S features a stainless steel nozzle. The stainless steel nozzle is most suitable in really tough conditions. The nozzle's solid stainless steel tip has been designed to withstand hard mechanical wear. Patented.

**Fully meets the EU Machine Directive's noise limitation requirements and OSHA's safety regulations.**

## Extension pipes in 6 lengths.



The 500 series is available with six different extension pipe lengths. The pipes are made of zinc-plated steel. Other materials and lengths can be supplied upon request. When ordering air guns with longer extension pipes than the standard 100 mm, specify the length you want last in the order number – pistol grip-nozzle-extension pipe length, e.g. 500-Z-600.

## ACCESSORIES



**PLASTIC SAFETY SHIELDS** Effectively protects the eyes and body from splattering and flying chips when, for example, cleaning out blind holes. Material: Polycarbonate  
**Meets OSHA's regulations for safe blowing.**



**AIR SHIELDS** Prevents splattering and chips from striking the body and eyes. Especially suitable in confined spaces.  
Material: Aluminum  
**Meets OSHA's regulations for safe blowing.**



**SPIRAL HOSES** Silvent offers a large selection of self-coiling spiral hoses. These hoses are available in 3 different qualities and have been pressure drop tested for optimal compatibility with Silvent's safety guns.

Order number: 590

Supplied pre-mounted at the factory. Specify with an additional designation at the end of the order no: e.g. 500-Z-AS1.

Further information in tab: Accessories.