



4015-L

The introduction of Silvent 4000 heralds an entirely new concept within blowing technology. Silvent has succeeded in combining highly concentrated blowing force with easily controlled valve functionality and a low sound level. The nozzle has a patented design with a Laval outlet in its center.

Surrounding the air hole there is a ring of slots, which creates the low-turbulence flow pattern required for a low sound level. At the same time, the energy of the core stream is utilized optimally.

The valve function is "power steered" and can be easily controlled with one hand. Light pressure from the thumb or a finger is sufficient. The rubber insulation on the handle provides a sure grip and, at the same time, protects the hand against both heat and cold. The valve is controlled with a "dead man's grip" so that it instantly closes if the grip is dropped.

### REPLACE OPEN PIPE OF DIAMETERS:



14 - 20 mm

5/8" - 3/4"

### BENEFITS

Noise reduction – 8 - 13 dB(A)

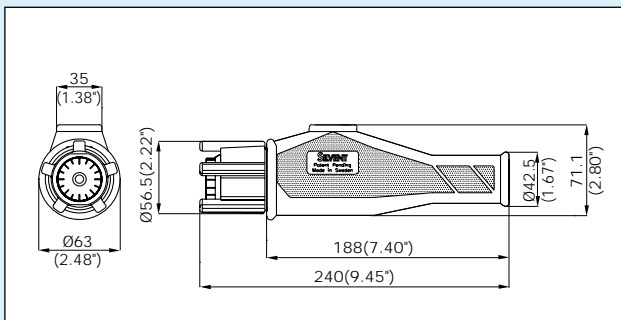
Air consumption reduction – 14 - 48 %

Safety nozzle – Meets OSHA standards

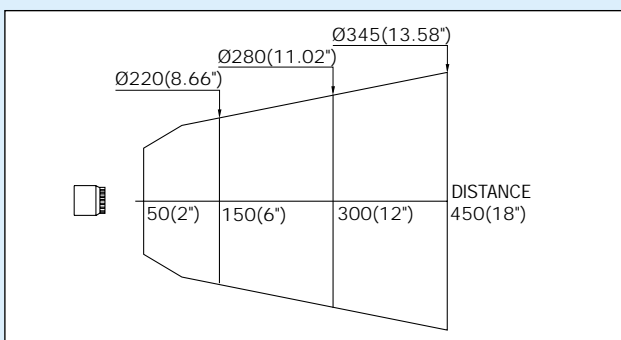
The Silvent high-force blowing tool Air Bazooka 4015-L utilizes your compressed air optimally. The effect is created by surrounding a core of air traveling at supersonic speed with a protective film of air moving parallel to the central air jet. The central stream of air in the Silvent 4015-L is generated by a Laval nozzle. The design of this nozzle converts all of the energy stored in the compressed air into kinetic energy without allowing the air jet to expand laterally after it has passed through the nozzle. The protective sheath of air around the core stream prevents it from being slowed down by the surrounding air and allows it to be utilized at full effect. The gas flow hinders the creation of turbulence and thereby lowers the sound level. The nozzle is made of stainless steel, which makes it suitable for use in virtually any environment where extra high blowing forces are required, e.g. within the paper and manufacturing industries, steel mills and chemical plants. Patented.

**Fully meets the EU Machine Directive's noise limitation requirements and OSHA's safety regulations.**

### DIMENSIONS



### AIR CONE PATTERN

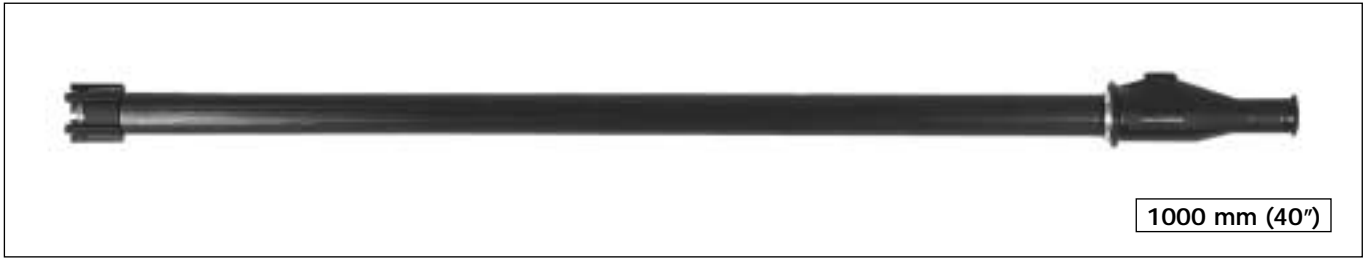


### PRODUCT INFORMATION

| ORDER NO./MODEL    |                    | 4010-S          | 4015-L    |
|--------------------|--------------------|-----------------|-----------|
| Nozzle             |                    | 4110            | 4115      |
| Replaces open pipe | mm                 | 14              | 20        |
|                    | "                  | 5/8             | 3/4       |
| Air consumption    | Nm <sup>3</sup> /h | 216             | 312       |
|                    | scfm               | 127.2           | 183.8     |
| Sound level        | dB(A)              | 99              | 104       |
|                    | N                  | 30              | 54        |
| Blowing force      | oz                 | 105.9           | 190.6     |
|                    | °C                 | -20/+70         | -20/+70   |
| Max. temp.         | °F                 | -4/+158         | -4/+158   |
|                    | g                  | 790             | 790       |
| Weight             | lbs                | 1.7             | 1.7       |
|                    | Connection         | BSP             | 3/4"      |
| NPT                |                    | 3/4" - 14       | 3/4" - 14 |
| Nozzle material    |                    | Stainless steel |           |

Further information in tab: Technical specifications.

Operating pressure: 0.4 MPa (57.2 psi) - 1.0 MPa (143 psi)



## 4000 with extension pipe

As an alternative, the 4000 is available with a 1000 mm extension pipe. Custom lengths can also be delivered upon request. Choosing the right length is important to assure maximum safety and optimal working posture.

When ordering the 4000 with a 1000 mm extension pipe use order number: 4015 -L-1000.

## ACCESSORIES



Silvent 4110 features a stainless steel nozzle with rubber protection. The nozzle is designed with aerodynamic slots to make optimal use of the compressed air. Patented. **Fully meets the EU Machine Directive's noise limitation requirements and OSHA's safety regulations.**



Silvent 4115 has a stainless steel Laval nozzle that provides unique blowing characteristics. The central stream of air is generated by a Laval nozzle which converts all of the energy stored in the compressed air into kinetic energy without allowing the air jet to expand laterally after it has passed through the nozzle. Patented. **Fully meets the EU Machine Directive's noise limitation requirements and OSHA's safety regulations.**



## APPLICATIONS



This picture shows a cleaning application at a paper mill. A 4015-L-1000 is used to provide the operator with a more ergonomically correct working posture while allowing him to reach deep within the machine.



An Silvent 4015-L with "dead man's grip" is used to safely clean a roller. Dead man's grip assures that the valve will close immediately if the operator should drop the grip.