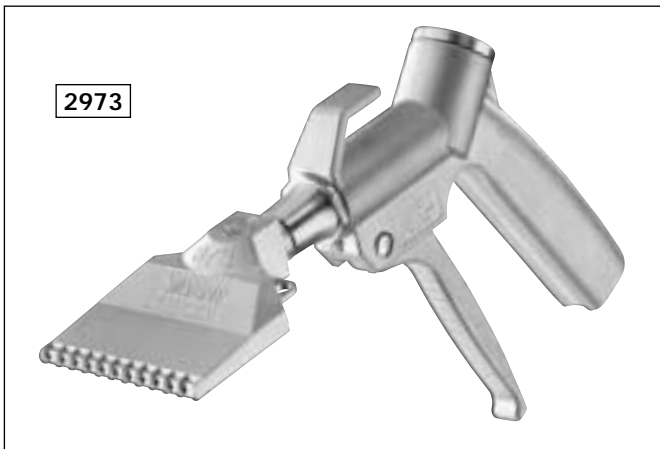


SAFETY GUN WITH A FLAT NOZZLE

2000
SERIES



REPLACES AIR GUNS WITHOUT NOZZLES

With blowing pipe diameters 7 mm
9/32"

BENEFITS

- Noise reduction – Halves the noise level
- Air consumption reduction – 20 - 50%
- Safety nozzle – Meets OSHA standards

Silvent 2973 is an excellent gun for applications where you need to move away large particles or chips quickly and efficiently. The design of the nozzle makes the air cone dig in and sweep the work surface clean. The gun is fitted with a powerful flat stainless steel nozzle that can cope with most applications. The blowing force is approximately three times that of an ordinary air gun. Despite its power, the sound level and energy consumption are low in relation to the work the gun performs. Patented.
Fully meets the EU Machine Directive's noise limitation requirements and OSHA's safety regulations.

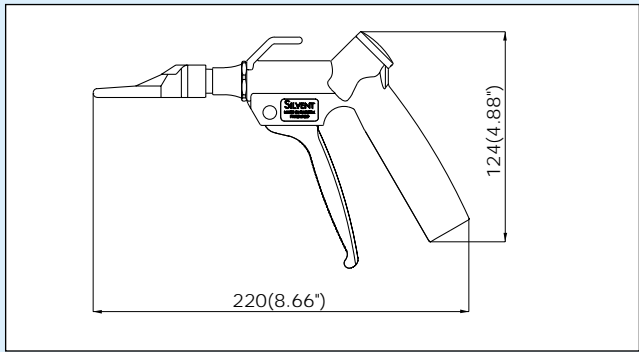


The picture shows an Silvent 2973 efficiently cleaning a large roller at a paper mill. The broad and powerful air cone generated by the flat nozzle does the job three times faster than a conventional air gun.

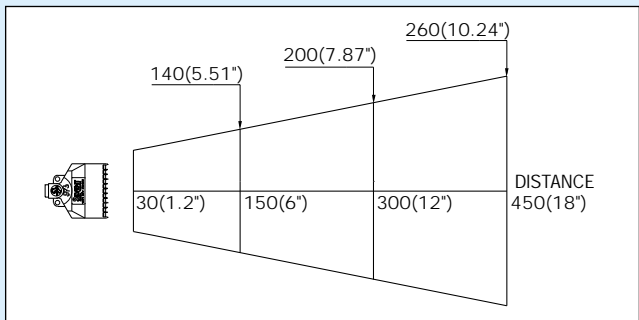
ACCESSORIES

- Self-coiling spiral hose, see tab: Accessories

DIMENSIONS



AIR CONE PATTERN



PRODUCT INFORMATION

ORDER NO./MODEL	2973	
Nozzle	973	
Replaces open pipe	mm	7
	"	9/32
Air consumption	Nm ³ /h	58
	scfm	34.2
Sound level	dB(A) 86	
	N	9.5
Blowing force	oz	33.5
	°C	-20/+70
Max. temp.	°F	-4/+158
	g	350
Weight	lbs	0.77
	BSP	3/8"
Connection	NPT	3/8"-18
	Nozzle material	Stainless steel

Further information in tab: Technical specifications.

Operating pressure: 0.2 MPa (28.6 psi) - 1.0 MPa (143 psi)