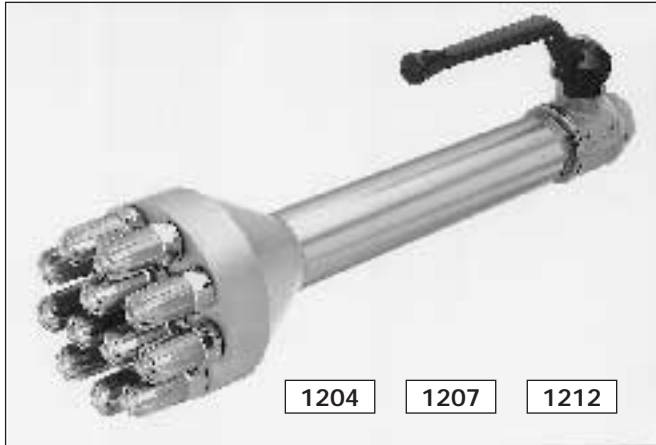


HIGH FORCE BLOWING TOOL FOR TOUGH JOBS



The Silvent 1200 series is designed according to the same principles as the 1100 series. The difference is that this product is adapted for high ambient temperatures and is delivered without plastic insulation on the grip. The 1200 series is also equipped with a robust ball valve for applications in tough environments. The tool is capable of producing blowing forces of up to 50 N. Connection - 3/4". Used in steel mills, paper mills, and foundries, for cleaning, cooling, drying, etc. Meets OSHA safety standards. Patented.

REPLACE OPEN PIPE OF DIAMETERS:



8 - 16 mm

3/8" - 5/8"

BENEFITS

Reduces the noise level 15 - 19 dB(A)

Decreases air consumption 36 - 52 %

Safety nozzle Meets OSHA standards

ACCESSORY

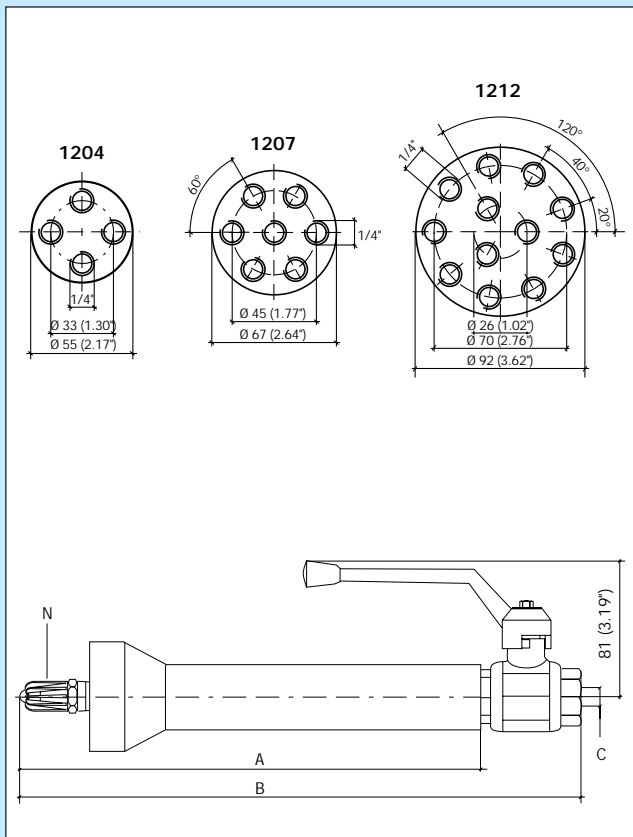


UBJ

An adjustable joint for the 400, 1100, and 1200 series. Since the joint permits adjustment to any angle, fixed installations can be set to the most efficient blowing angle. The desired position can then be locked with an Allen set screw. 3/4" connection.

Further information in: Accessories.

DIMENSIONS



PRODUCT INFORMATION

| ORDER NO./ MODEL | | 1204 | 1207 | 1212 |
|------------------|------|---------|---------|---------|
| A | mm | 255 | 270 | 295 |
| | " | 10.04 | 10.63 | 11.61 |
| B | mm | 320 | 335 | 360 |
| | " | 12.60 | 13.19 | 14.17 |
| C | BSP | 3/4" | 3/4" | 3/4" |
| | NPT | 3/4"-14 | 3/4"-14 | 3/4"-14 |
| Nozzles = N | pcs. | 4 | 7 | 12 |

| | | | | |
|--------------------|--------------------|----------|----------|----------|
| Replaces open pipe | mm | 8 | 12 | 16 |
| | " | 3/8 | 1/2 | 5/8 |
| Air consumption | Nm ³ /h | 76 | 133 | 228 |
| | scfm | 44.8 | 78.3 | 134.3 |
| Sound level | dB(A) | 86 | 89 | 92 |
| | | | | |
| Blowing force | N | 14.0 | 24.5 | 42.0 |
| | oz | 49.4 | 86.5 | 148.3 |
| Max. temp. | °C | -20/+130 | -20/+130 | -20/+130 |
| | °F | -4/+266 | -4/+266 | -4/+266 |
| Weight | g | 1175 | 1404 | 1805 |
| | lbs | 2.58 | 3.09 | 3.97 |
| Nozzle material | Zinc | | | |

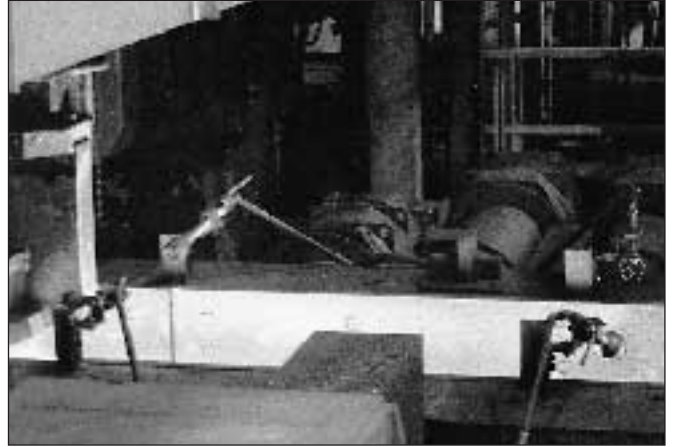
Further information in: Technical specifications.

Max. operating pressure: 1.0 MPa (143 psi).

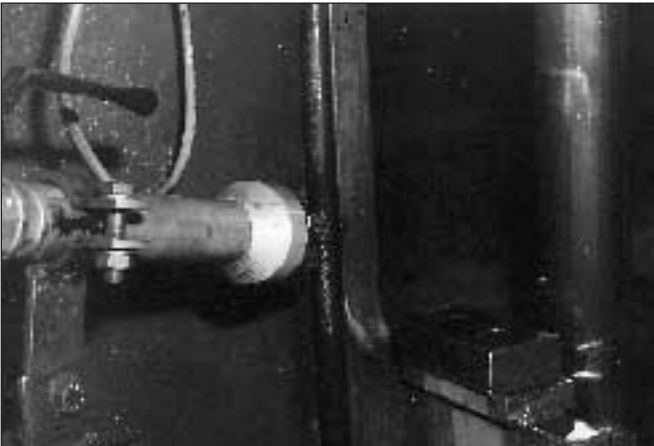
APPLICATIONS



The Silvent 1200 series has solved problems with water and scoria on the hot strip at British Steel. Scale particles and water are effectively swept away as the steel passes the air stream. The open pipe blowing formerly used failed to clean the steel.



British Steel Corporation is a steady user of Silvent products. The picture above shows how the Silvent 1212 is used to sweep away scale and water from the surface of the steel.

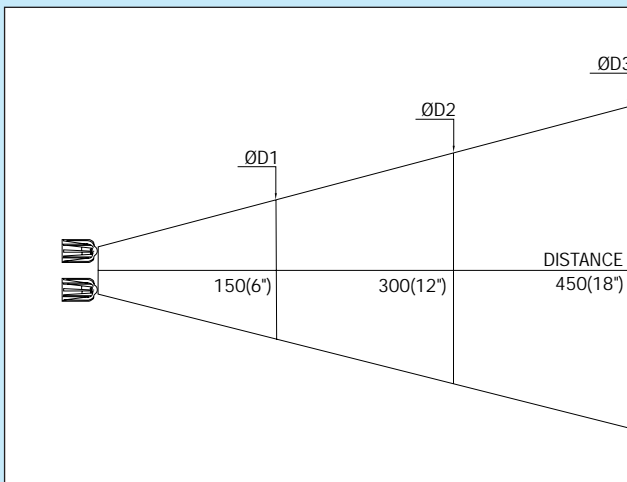


Alu-Norf, one of Germany's largest recyclers of aluminum, uses many different types of Silvent blowing nozzles in their production. Here is one application where a Silvent 1207 is used for blow-off of emulsion in the aluminum making process.



In this application a Silvent 1204 is used to blow hot steam - an unusual application where Silvent helped solve a production problem involving the removal of sticky tape from exclusive veneer. Using the Silvent 1204 lowered the noise level by 50% and virtually eliminated their worst noise problem.

AIR CONE PATTERN



| ORDER NO./ MODEL | Ø D1 | | Ø D2 | | Ø D3 | |
|------------------|------|------|------|-------|------|-------|
| | mm | " | mm | " | mm | " |
| 1204 | 140 | 5.51 | 220 | 8.66 | 310 | 12.20 |
| 1207 | 160 | 6.30 | 260 | 10.24 | 360 | 14.17 |
| 1212 | 210 | 8.27 | 325 | 12.80 | 450 | 17.72 |