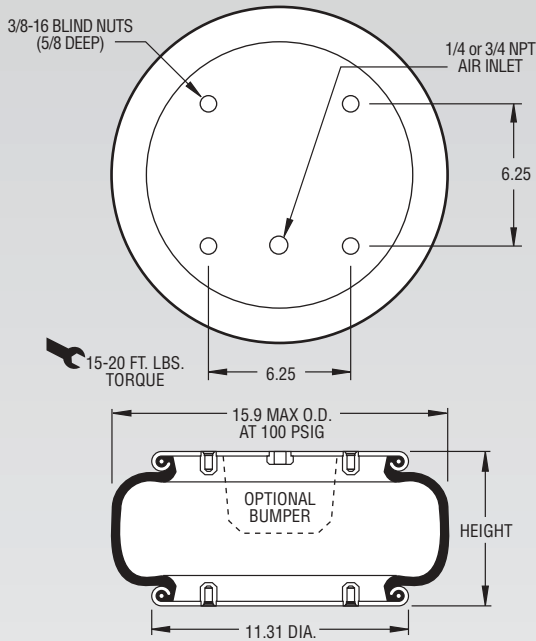


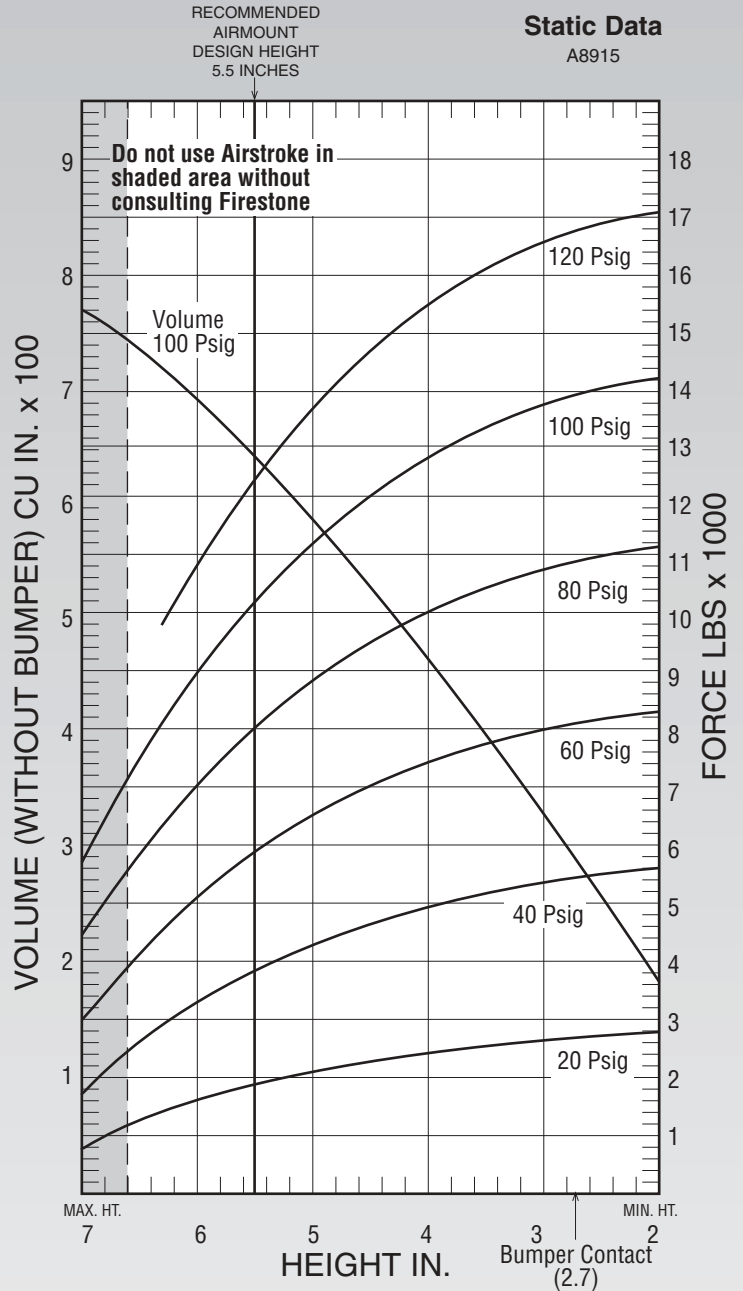
| Description   |  | Assembly Order No. |
|---|--|--------------------|
| Style 113-1   | Blind nuts, 1/4 NPT                                      | WO1-358-7091       |
|   | Blind nuts, 3/4 NPT                                      | WO1-358-7092       |
| Two Ply Bellows                                     | Blind nuts, 3/4 NPT, rubber bumper                       | WO1-358-7094       |
|   | Countersunk steel bead rings, 1 3/4 bolts, nuts, washers | WO1-358-7277       |
|   | Rubber bellows only                                      | WO1-358-0150       |
| Assembly weight .....                               |  | 15.2 lbs.          |
| Force to collapse to minimum height (@ 0 PSIG)..... |  | 25 lbs.            |

|                       |                     |              |
|-----------------------|---------------------|--------------|
| Style 128-1           | Blind nuts, 3/4 NPT | WO1-358-8160 |
| High Strength Bellows |                     |              |



**NOTE:** A bead plate part is shown. This part is also available with bead rings. See pages 8-10 for explanation.

| Dynamic Characteristics at 5.5 in. Design Height<br>(Required for Airmount isolator design only) |             |                        |                   |      |
|--|-------------|------------------------|-------------------|------|
| Volume @ 100 PSIG = 641 in <sup>3</sup>  |             |                        | Natural Frequency |      |
| Gage Pressure (PSIG)   | Load (lbs.) | Spring Rate (lbs./in.) | CPM               | HZ   |
| 40   | 3,820       | 2,198                  | 142               | 2.37 |
| 60   | 5,900       | 3,091                  | 136               | 2.26 |
| 80   | 7,990       | 3,986                  | 133               | 2.21 |
| 100  | 10,200      | 4,923                  | 130               | 2.17 |



See page 12 for instructions on how to use chart.

| Force Table (Use for Airstroke <sup>®</sup> actuator design) |                                      |              |          |          |          |           |
|--|--------------------------------------|--------------|----------|----------|----------|-----------|
| Assembly Height (in.)  | Volume @ 100 PSIG (in <sup>3</sup> ) | Pounds Force |          |          |          |           |
|  |                                      | @20 PSIG     | @40 PSIG | @60 PSIG | @80 PSIG | @100 PSIG |
| 6.0  | 692                                  | 1,600        | 3,270    | 5,130    | 7,000    | 8,990     |
| 5.0  | 586                                  | 2,070        | 4,260    | 6,530    | 8,800    | 11,200    |
| 4.0  | 463                                  | 2,440        | 4,940    | 7,470    | 10,080   | 12,710    |
| 3.0  | 328                                  | 2,660        | 5,360    | 8,060    | 10,860   | 13,630    |