

MICRONOZZLES



REPLACES OPEN PIPE OF DIAMETERS



2 - 3 mm

5/64" - 1/8"

BENEFITS

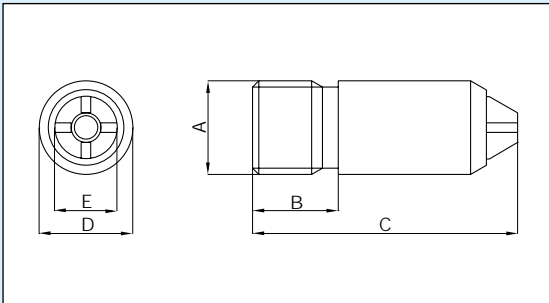
- Noise reduction - 8 - 10 dB(A)
- Air consumption reduction - 20 - 22 %

SILVENT's Microseries of compressed air nozzles is made exclusively of stainless steel. The nozzles are constructed with a centrally located hole surrounded by slots. This design generates a concentrated air stream while, at the same time, limiting both the sound level and air consumption to a minimum. The small dimensions of the Microseries allow these nozzles to be incorporated into virtually any machine design. The Microseries fully complies with the stipulations of the EU Machine Directive regarding airborne noise in machines. Patented.



The picture shows an application where Silvent MJ6 is used for spot cooling and blow-off when soldering a printed circuit board.

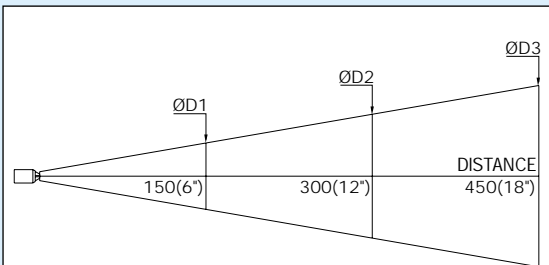
DIMENSIONS



PRODUCT INFORMATION

ORDER NO./MODEL		MJ4	MJ5	MJ6
A		M4x0.5	M5x0.5	M6x0.75
B	mm	5.5	5.5	5.5
	"	0.22	0.22	0.22
C	mm	16.5	17	17
	"	0.65	0.67	0.67
D	mm	4	5	6
	"	0.16	0.20	0.24
E	mm	2	3	4
	"	0.08	0.12	0.16

AIR CONE PATTERN



ORDER NO./MODEL	D1		D2		D3	
	mm	"	mm	"	mm	"
MJ4	35	1.38	65	2.56	100	3.94
MJ5	40	1.57	80	3.15	120	4.72
MJ6	50	1.97	95	3.74	140	5.51

Replaces open pipe	mm	2	2.5	3
	"	5/64	3/32	1/8
Air consumption	Nm³/h	4	10	14
	scfm	2.4	5.9	8.2
Sound level	dB(A)	76	79	82
Blowing force	N	0.9	1.8	2.5
	oz	3.2	6.3	8.8
	°C	400	400	400
Max. temp.	°F	752	752	752
	g	1.0	1.4	1.8
Weight	lbs	0.002	0.003	0.004
	Nozzle material: Stainless steel			

Further information in tab: Technical specifications

Max operating pressure: 1.0 MPa (143 psi)