

# SAFETY GUN WITH A FLAT NOZZLE



## REPLACES AIR GUNS WITHOUT NOZZLES

With blowing pipe diameters 4 - 6 mm  
1/8" - 1/4"

## BENEFITS

Noise reduction – Halves the noise level  
Air consumption reduction – 20 - 50%  
Safety nozzle – Meets OSHA standards

Silvent 5920 is an air gun with a flat nozzle for applications where you want the air stream to strike a wider surface, providing quick and efficient blow-off. This low-noise nozzle is made of zinc and its outlet ports are protected against external forces by fins. Patented.

Fully meets the EU Machine Directive's noise limitation requirements and OSHA's safety regulations.

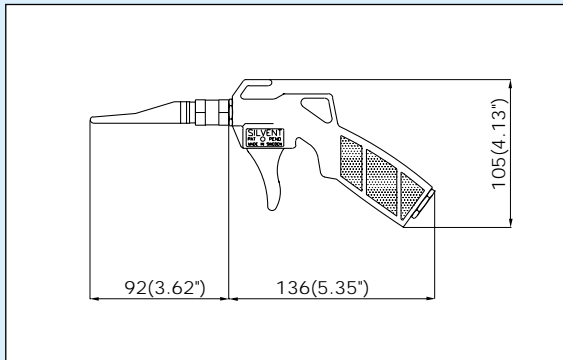
## ACCESSORIES

- Self-coiling spiral hose, see tab: Accessories

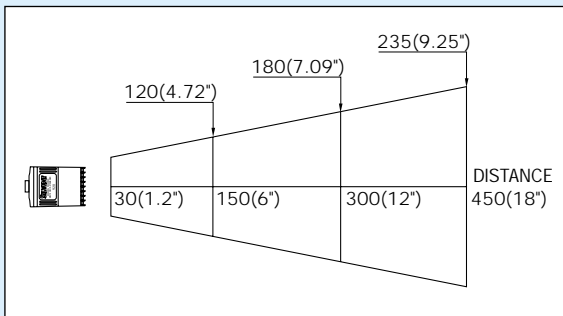


Silvent offers a large selection of self-coiling spiral hoses. These hoses are available in 3 different qualities and have been pressure drop tested for optimal compatibility with Silvent's safety guns.

## DIMENSIONS



## AIR CONE PATTERN



## PRODUCT INFORMATION

|                    |                    |         |
|--------------------|--------------------|---------|
| ORDER NO./MODEL    | 5920               |         |
| Nozzle             | 920                |         |
| Replaces open pipe | mm                 | 6       |
|                    | "                  | 1/4     |
| Air consumption    | Nm <sup>3</sup> /h | 30      |
|                    | scfm               | 17.7    |
| Sound level        | dB(A)              | 81      |
|                    | N                  | 5.5     |
| Blowing force      | oz                 | 19.4    |
|                    | °C                 | -20/+70 |
| Max. temp.         | °F                 | -4/+158 |
|                    | g                  | 265     |
| Weight             | lbs                | 0.58    |
|                    | BSP                | 1/4"    |
| Connection         | NPT                | 1/4"-18 |
|                    | Nozzle material    | Zinc    |

Further information in tab: Technical specifications.

Max. operating pressure: 1.0 MPa (143 psi)