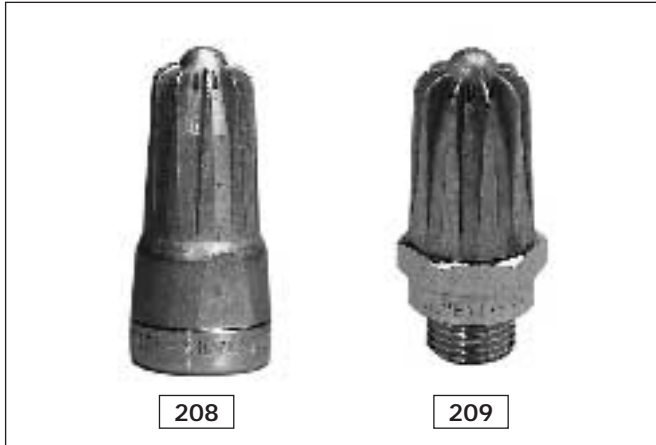


HOLE NOZZLES FOR FIXED INSTALLATION



REPLACE OPEN PIPE OF DIAMETERS:



3 - 4 mm

1/8"

BENEFITS

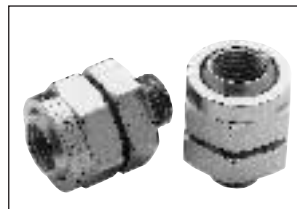
Reduces the noise level 14 - 18 dB(A)

Decreases air consumption 23 - 36 %

Safety nozzle Meets OSHA standards

ACCESSORY

ADJUSTABLE SWIVEL JOINT

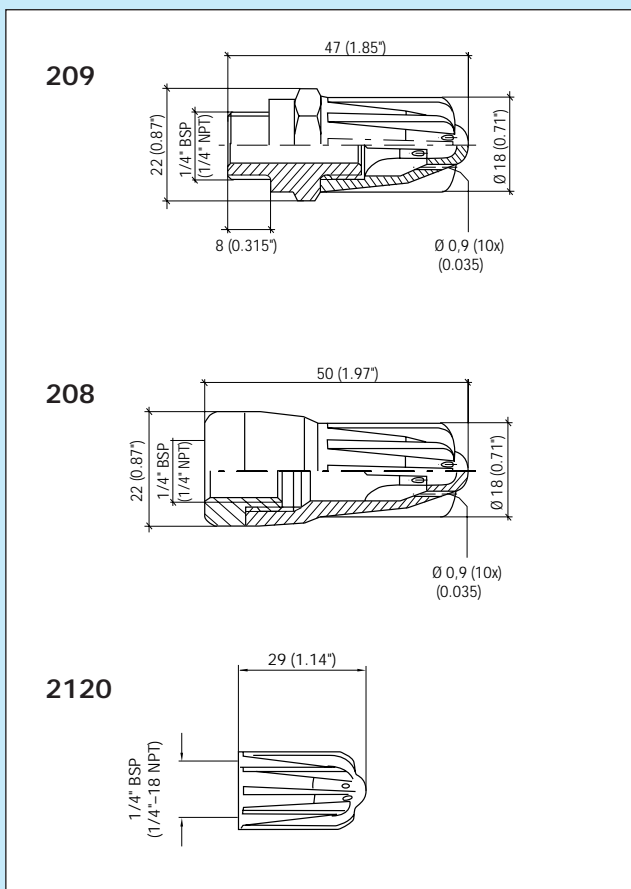


An adjustable swivel joint for setting the direction of the air cone. The joint enables easy fine tuning of the blowing angle without affecting other fixed equipment. Correct adjustment of the blowing angle results in a lower noise level and increased efficiency.

The Silvent 208 and 209 are nozzles that are used in most types of applications. The 208 has female thread and the 209 has male thread. These nozzles are among Silvent's most popular nozzles and are today installed in thousands of different applications - applications where the noise level has been cut in half and energy consumption drastically reduced. The protective flanges prevent direct contact between the skin and the exhaust ports. With this design, the nozzle fulfills the OSHA requirements of a dead-end static pressure of 210 kPa (30 psi). Patented.

Further information in: Accessories.

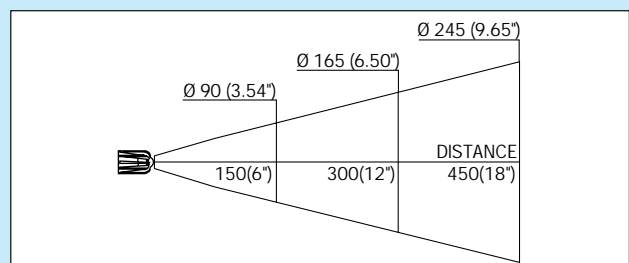
DIMENSIONS



PRODUCT INFORMATION

ORDER NO./ MODEL		208	209
Replaces open pipe	mm	4	4
	"	1/8	1/8
Air consumption	Nm ³ /h	19	19
	scfm	11.2	11.2
Sound level	dB(A)	80	80
Blowing force	N	3.5	3.5
	oz	12.4	12.4
Max. temp.	°C	-20/+70	-20/+70
	°F	-4/+158	-4/+158
Weight	g	40	48
	lbs	0.088	0.105
Nozzle material	Zinc		

AIR CONE PATTERN



Further information in: Technical specifications.

Max. operating pressure: 1.0 MPa (143 psi)