

# SAFETY GUN WITH A PROTECTIVE PEEK NOZZLE



**REPLACES AIR GUNS WITHOUT NOZZLES**  
 With blowing pipe diameters 3 - 4 mm  
 1/8"

**BENEFITS**  
 Noise reduction – Halves the noise level  
 Air consumption reduction – 20 - 40%  
 Safety nozzle – Meets OSHA standards

Silent 007-P with its PEEK nozzle prevents unnecessary scratching. The PEEK nozzle has been specially developed for sensitive applications where expensive tools and machines absolutely may not be damaged. The nozzle is fitted on a flexible PA 12 pipe that provides additional protection against scratches caused by mechanical impact.

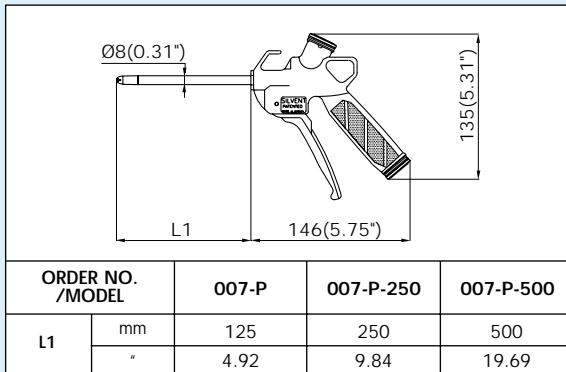
PEEK is a unique plastic material with properties that meet the rigorous quality and safety requirements of, for example, the aerospace industry. It is extremely impact resistant and is capable of handling aggressive chemical environments, strong cutting fluids and temperatures of up to 260° C (500° F). The nozzle is designed with a central hole that generates a concentrated air stream. At the same time, the sound level is low and air consumption is reduced. The PEEK guns are available with three different extension pipe lengths. Patented. Fully meets the EU Machine Directive's noise limitation requirements and OSHA's safety regulations.



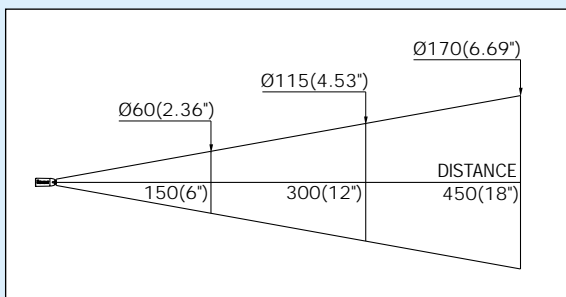
## ACCESSORIES

- Safety shield, see 007-L safety gun
- Air shield, see 007-L safety gun
- Self-coiling spiral hose, see tab: Accessories

## DIMENSIONS



## AIR CONE PATTERN



## PRODUCT INFORMATION

| ORDER NO. /MODEL                  | 007-P              |         |
|-----------------------------------|--------------------|---------|
| Nozzle                            | 8001               |         |
| Replaces open pipe                | mm                 | 4       |
|                                   | "                  | 1/8     |
| Air consumption variable position | Nm <sup>3</sup> /h | 11      |
|                                   | scfm               | 6.5     |
| Air consumption booster position  | Nm <sup>3</sup> /h | 14      |
|                                   | scfm               | 8.2     |
| Sound level variable              | dB(A)              | 79      |
| Sound level booster               | dB(A)              | 75      |
| Blowing force variable position   | N                  | 1.8     |
|                                   | oz                 | 6.4     |
| Blowing force booster position    | N                  | 2.4     |
|                                   | oz                 | 8.4     |
| Max. temp.                        | °C                 | -20/+70 |
|                                   | °F                 | -4/+158 |
| Weight                            | g                  | 165     |
|                                   | lbs                | 0.36    |
| Connection                        | BSP                | 1/4"    |
|                                   | NPT                | 1/4"-18 |
| Nozzle material                   | PEEK               |         |

Further information in tab: Technical specifications.

Max. operating pressure: 1.0 MPa (143 psi) 1.0 MPa (143 psi)