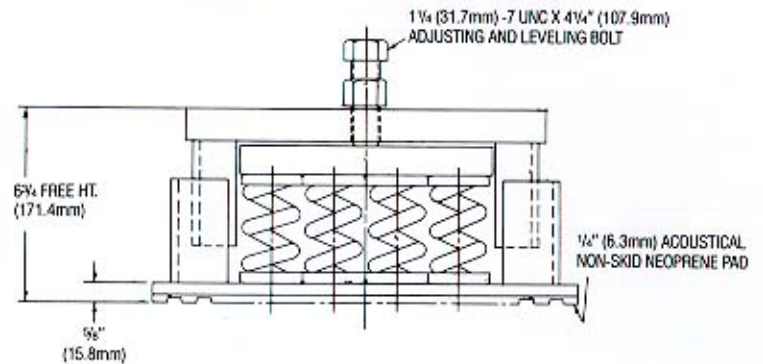
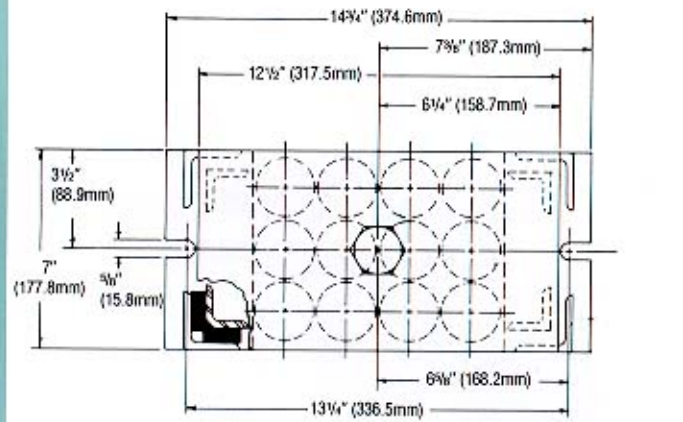


TYPE CE-12

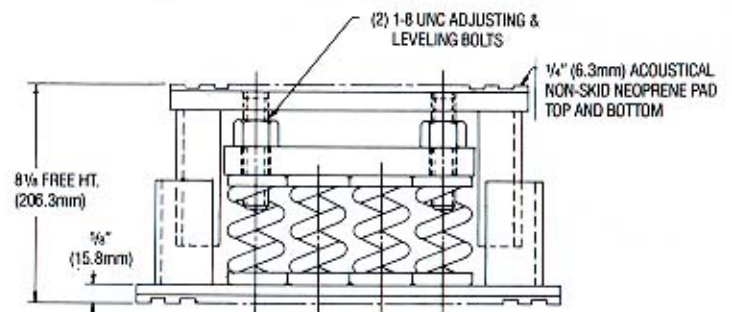
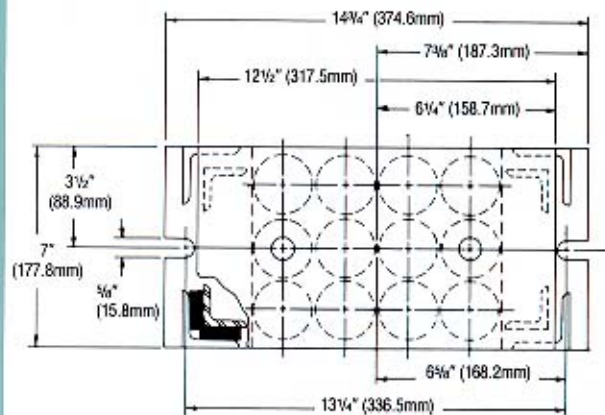
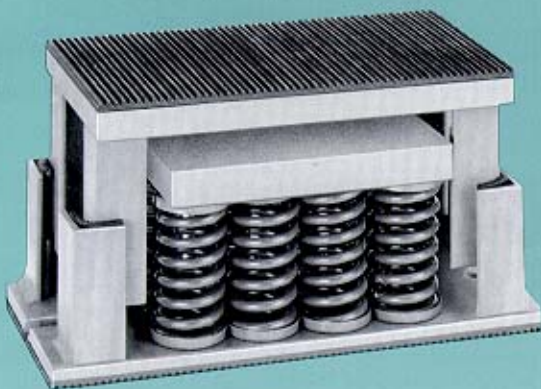
welded steel
construction



Mounting	Max. Load, lbs. (Kg)	Spring Color	Defl., ins. (mm)
CE-12-25	5400 (2449.4)	Red	1.22 (30.9)
CE-12-26	7200 (3265.9)	Purple	1.17 (29.7)
CE-12-27	9000 (4082.4)	Orange	1.06 (26.9)
CE-12-28	10800 (4898.8)	Green	1.02 (25.9)
CE-12-31	13200 (5987.5)	Gray	.83 (21.0)
CE-12-32	15600 (7076.1)	White	.74 (18.7)

TYPE CT-12

welded steel
construction



Mounting	Max. Load, lbs. (Kg)	Spring Color	Defl., ins. (mm)
CT-12-25	5400 (2449.4)	Red	1.22 (30.9)
CT-12-26	7200 (3265.9)	Purple	1.17 (29.7)
CT-12-27	9000 (4082.4)	Orange	1.06 (26.9)
CT-12-28	10800 (4898.8)	Green	1.02 (25.9)
CT-12-31	13200 (5987.5)	Gray	.83 (21.0)
CT-12-32	15600 (7076.1)	White	.74 (18.7)