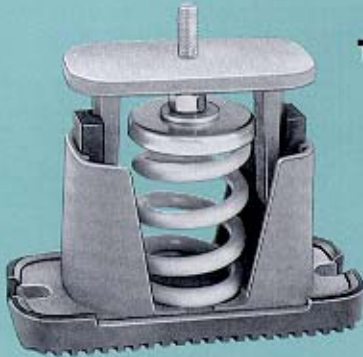
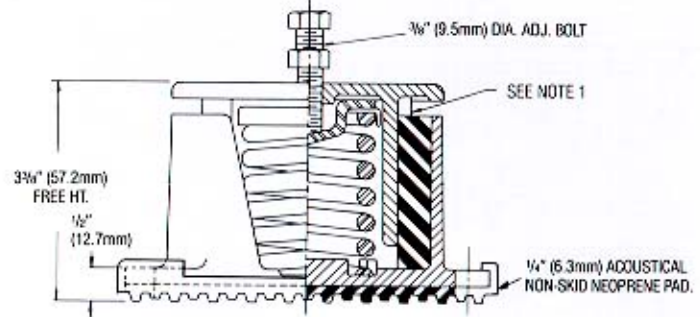
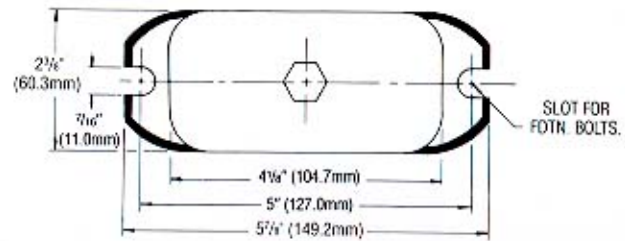




## TYPE BE

Type & Size	Max. Load, lbs. (Kg)	Spring Color	Defl., ins. (mm)
BE-11	60 (27.2)	Blue	1.3 (33.0)
BE-12	100 (45.3)	Orange	1.3 (33.0)
BE-13	165 (74.8)	Brown	1.2 (30.4)
BE-14	260 (117.9)	Black	1.0 (25.4)
BE-16	370 (167.8)	Yellow	0.8 (20.3)
BE-17	450 (204.1)	Red	0.5 (12.7)
BE-18	700 (317.5)	Green	0.5 (12.7)

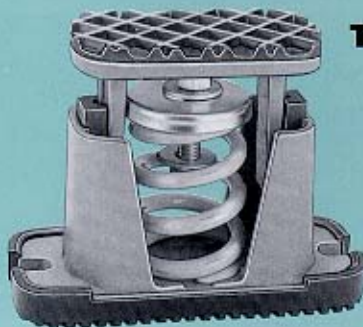
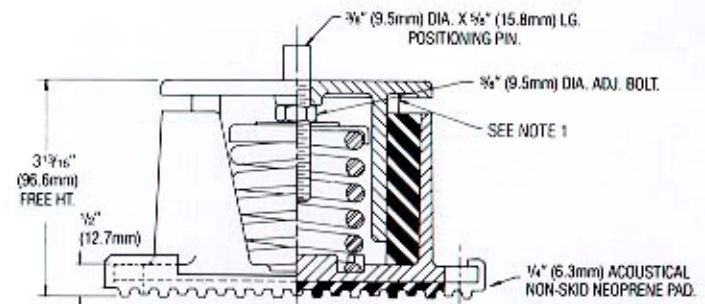
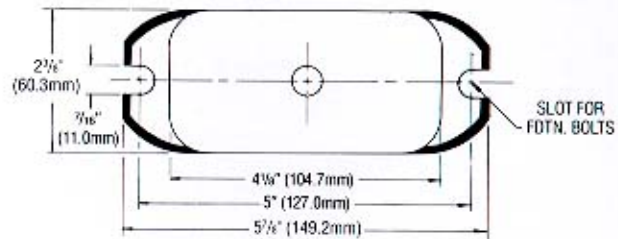
NOTE 1: TO LEVEL EQUIPMENT ADJUST MOUNTINGS SO THAT UPPER HOUSING CLEARS LOWER HOUSING BY AT LEAST 1/4" (6.3mm) AND NOT MORE THAN 1/2" (12.7mm).



## TYPE BP

Type & Size	Max. Load, lbs. (Kg)	Spring Color	Defl., ins. (mm)
BP-11	60 (27.2)	Blue	1.3 (33.0)
BP-12	100 (45.3)	Orange	1.3 (33.0)
BP-13	165 (74.8)	Brown	1.2 (30.4)
BP-14	260 (117.9)	Black	1.0 (25.4)
BP-16	370 (167.8)	Yellow	0.8 (20.3)
BP-17	450 (204.1)	Red	0.5 (12.7)
BP-18	700 (317.5)	Green	0.5 (12.7)

NOTE 1: TO LEVEL EQUIPMENT ADJUST MOUNTINGS SO THAT UPPER HOUSING CLEARS LOWER HOUSING BY AT LEAST 1/4" (6.3mm) AND NOT MORE THAN 1/2" (12.7mm).



## TYPE BT

Type & Size	Max. Load, lbs. (Kg)	Spring Color	Defl., ins. (mm)
BT-11	60 (27.2)	Blue	1.3 (33.0)
BT-12	100 (45.3)	Orange	1.3 (33.0)
BT-13	165 (74.8)	Brown	1.2 (30.4)
BT-14	260 (117.9)	Black	1.0 (25.4)
BT-16	370 (167.8)	Yellow	0.8 (20.3)
BT-17	450 (204.1)	Red	0.5 (12.7)
BT-18	700 (317.5)	Green	0.5 (12.7)

NOTE 1: TO LEVEL EQUIPMENT ADJUST MOUNTINGS SO THAT UPPER HOUSING CLEARS LOWER HOUSING BY AT LEAST 1/4" (6.3mm) AND NOT MORE THAN 1/2" (12.7mm).

