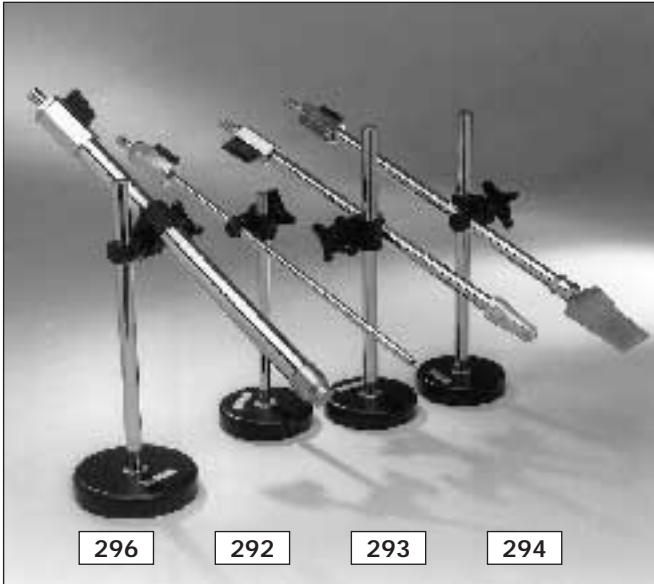


# ADJUSTABLE FLEXARM STANDS



## REPLACE OPEN PIPE OF DIAMETERS:



4 - 10 mm

1/8" - 3/8"

## BENEFITS

Reduces the noise level 14 - 23 dB(A)

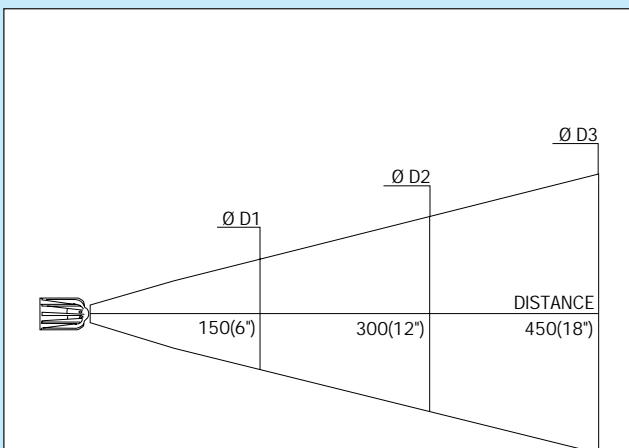
Decreases air consumption 18 - 47 %

Safety nozzle Meets OSHA standards

Silvent's FLEXARM system is specially designed for applications where the blowing angle must be readjusted continuously. In cases where the Flexblow hose has certain limitations due to its design, Flexarm allows frequent adjustment. The series consists of 6 different arms that can be fitted with a variety of blowing nozzles. Choose among nozzle 5001, 0071, 208, 920, 703, and

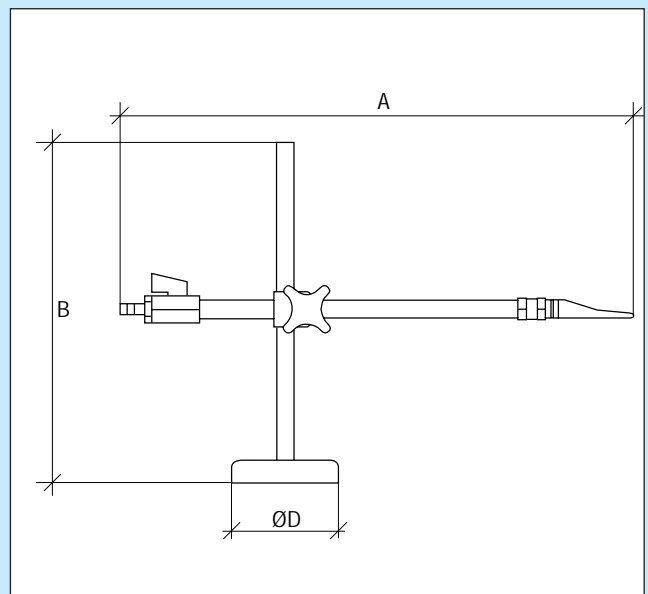
705 depending on the type of application and the blowing force required. Flexarms are delivered with a magnetic base as standard. In cases where magnetic attachment is unsuitable, a special mounting plate is available. Adjustment of all joints is easy with a knob and single-handed grip. All Flexarm models fully meet OSHA safety requirements. Patented.

## CONE PATTERN



ORDER NO./MODEL	D1		D2		D3	
	mm	"	mm	"	mm	"
291	60	2.36	115	4.53	170	6.69
292	60	2.36	115	4.53	170	6.69
293	90	3.53	165	6.50	245	9.65
294	120	4.72	180	7.09	235	9.25
295	165	6.49	235	9.25	305	12.01
296	165	6.49	235	9.25	305	12.01

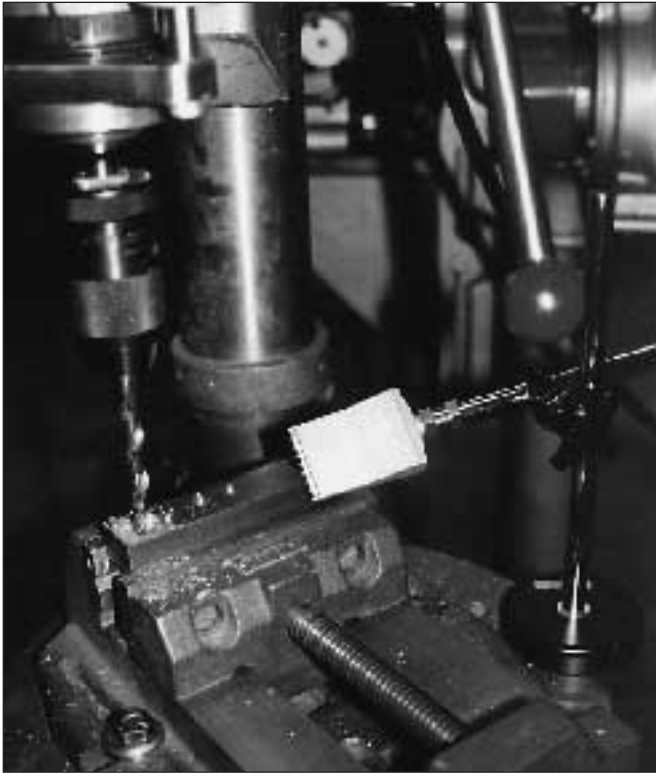
## DIMENSIONS



Additional information under: Technical specifications.

Maximum operating pressure: 1.0 MPa (143 psi)

# APPLICATIONS



A Silvent 294 being used for blow-off in a drilling operation. As the blowing angle must be continuously readjusted, the FLEXARM provides the perfect tool for constant resetting.



A Silvent 296 being used to keep the milling machine clean during operation. A knob and single-handed grip allow easy adjustment to the quietest and most efficient blowing angle.

## PRODUCT INFORMATION

ORDER NO./MODEL	291	292	293	294	295	296
Nozzle	5001	0071	208	920	703	705
A	mm	348	357	368	410	366
	"	13.71	14.07	14.49	16.14	14.41
B	mm	218	218	268	268	270
	"	8.58	8.58	10.55	10.55	10.63
D	mm	85	85	85	85	105
	"	3.35	3.35	3.35	3.35	4.13

Replaces open pipe	mm	4	4	4	6	7	10
	"	1/8	1/8	1/8	1/4	9/32	3/8
Air consumption	Nm <sup>3</sup> /h	19	19	19	30	57	95
	scfm	11.2	11.2	11.2	17.7	33.6	55.9
Sound level	dB(A)	79	80	80	81	89	92
Force	N	3.2	3.2	3.5	5.5	9.5	15.0
	oz	11.3	11.3	12.4	19.4	33.5	52.9
Max. temp	°C	-20/+70	-20/+70	-20/+70	-20/+70	-20/+70	-20/+70
	°F	-4/+158	-4/+158	-4/+158	-4/+158	-4/+158	-4/+158
Weight	g	930	930	1325	1430	1970	1970
	lbs	2.05	2.05	2.91	3.15	4.33	4.33
Connection Ø hose	mm	9	9	9	9	12	12
	"	3/8	3/8	3/8	3/8	1/2	1/2
Magnetic force	N	540	540	540	540	680	680
	Oz	1900	1900	1900	1900	2400	2400
Nozzle material		Zinc	Steel	Zinc	Zinc	Steel	Steel

## ACCESSORIES



Mounting plate for fixed attachment of a flexarm. For dimensions, see flexblow hoses with magnetic base.

Order no. : 2911



Complete joint with knob.

Order no. :	2901	2902	2903	
D	mm	10	14	22
	"	0.4	0.55	0.87
d	mm	8	14	14
	"	0.32	0.55	0.55

