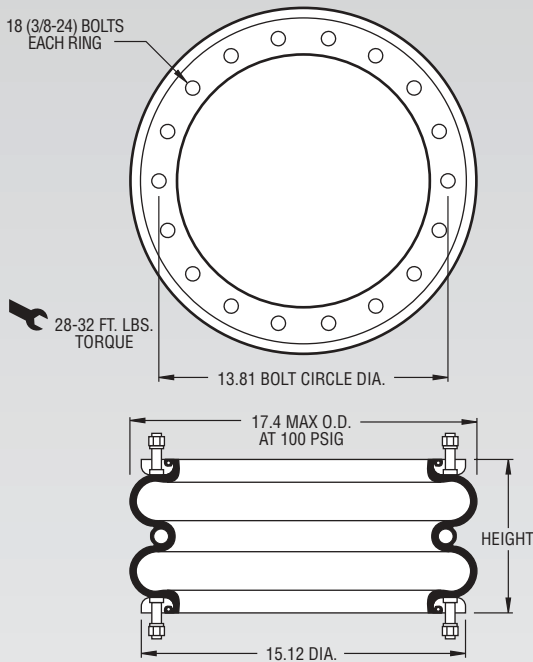


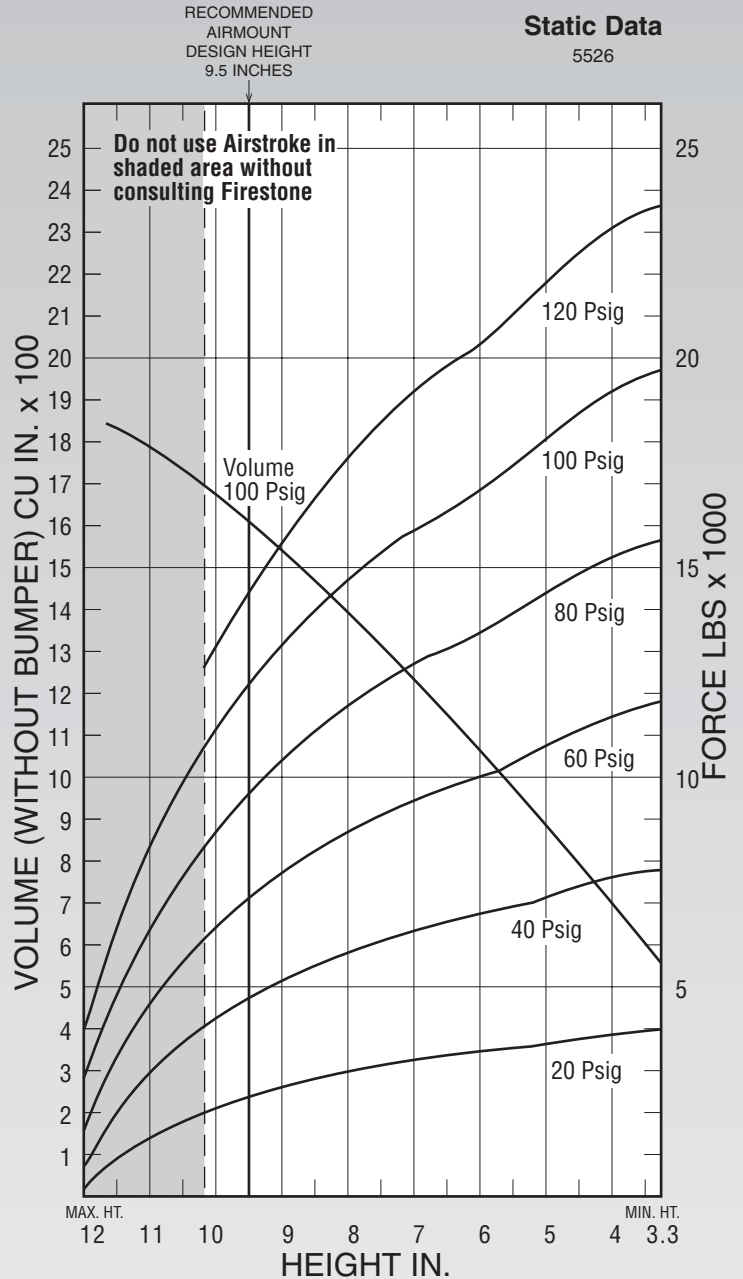
Description		Assembly Order No.
Style 28	Ribbed neck aluminum bead rings (equal spacing), 1 7/8 bolts, nuts, washers	WO1-358-7191
Two Ply Bellows	Ribbed neck aluminum bead rings (unequal spacing) 1 7/8 b,n,w	WO1-358-7194
	Ribbed neck aluminum bead rings (equal spacing) 1 1/4 b,n,w	WO1-358-7192
	Rolled plate assembly, 1/2 blind nut 3/4 NPT	WO1-358-7271
	Rubber bellows only	WO1-358-7925
Assembly weight		19.0 lbs
Force to collapse to minimum height (@ 0 PSIG).....		38 lbs.

Style 201	Ribbed neck aluminum bead rings (equal spacing)	WO1-358-7244
High Strength Bellows	Rubber Bellows Only	WO1-139-0201



NOTE: A bead ring part is shown. This part is also available with rolled plates. See page 11 for explanation.

Dynamic Characteristics at 9.5 in. Design Height (Required for Airmount isolator design only)				
Volume @ 100 PSIG = 1,596 in ³			Natural Frequency	
Gage Pressure (PSIG)	Load (lbs.)	Spring Rate (lbs./in.)	CPM	HZ
40	4,590	1,553	109	1.82
60	7,010	2,125	103	1.72
80	9,590	2,779	101	1.68
100	12,120	3,471	100	1.67



See page 12 for instructions on how to use chart.

Force Table (Use for Airstroke® actuator design)						
Assembly Height (in.)	Volume @ 100 PSIG (in ³)	Pounds Force				
		@20 PSIG	@40 PSIG	@60 PSIG	@80 PSIG	@100 PSIG
10.0	1,658	2,090	4,150	6,410	8,780	11,100
9.0	1,529	2,500	5,000	7,550	10,290	13,010
8.0	1,384	2,840	5,700	8,530	11,530	14,550
7.0	1,224	3,110	6,250	9,340	12,580	15,790
6.0	1,053	3,330	6,650	9,940	13,380	16,760
5.0	871	3,590	7,130	10,690	14,380	18,010
4.0	679	3,820	7,570	11,360	15,270	19,130