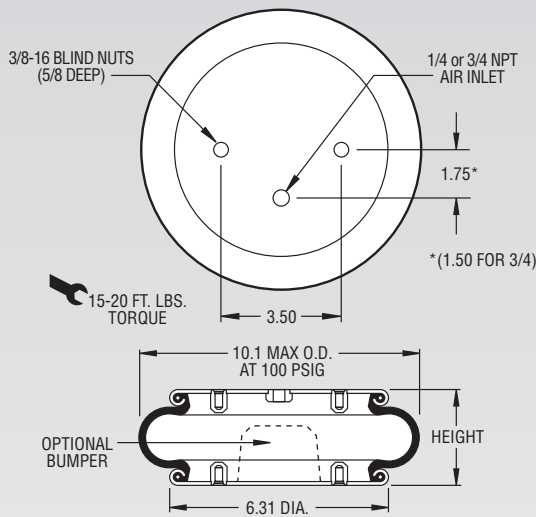
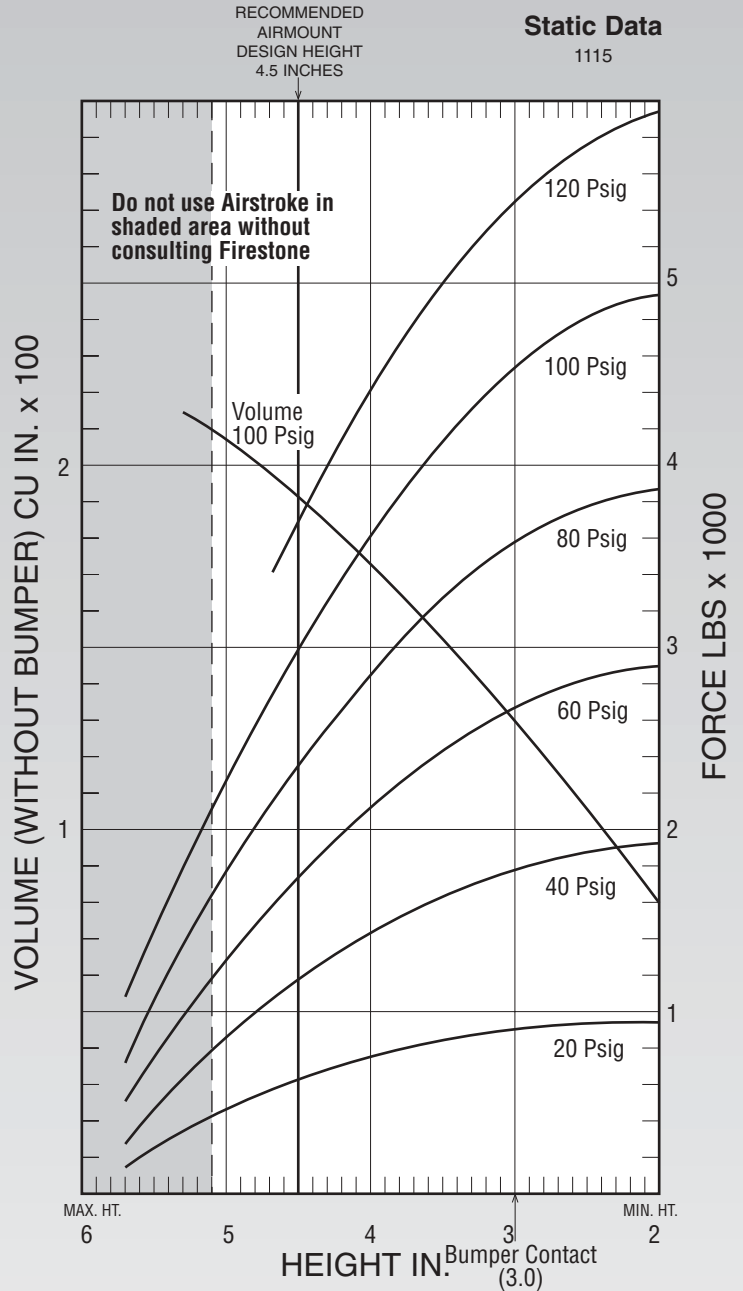


Description		Assembly Order No.
Style 115 Two Ply Bellows	Blind nuts, 1/4 NPT	WO1-358-7460
	Blind nuts, 1/4 NPT rubber bumper	WO1-358-7459
	Blind nuts, 3/4 NPT	WO1-358-7465
	Blind nuts, 3/4 NPT rubber bumper	WO1-358-7458
	Countersunk steel bead rings, 1 ⁵ / ₈ bolts, nuts, washers	WO1-358-7469
	Blind nuts, 3/4 NPT both ends (centered)	WO1-606-7115
	Rubber bellows only	WO1-358-0118
Assembly weight		5.5 lbs.
Force to collapse to minimum height (@ 0 PSIG).....		8 lbs.
Style 124 High Strength Bellows	Blind nuts, 1/4 NPT	WO1-358-7650
	Blind nuts, 3/4 NPT	WO1-358-7649



NOTE: A bead plate part is shown. This part is also available with bead rings. See pages 8-10 for explanation.

Dynamic Characteristics at 4.5 in. Design Height (Required for Airmount isolator design only)				
Volume @ 100 PSIG = 192 in ³			Natural Frequency	
Gage Pressure (PSIG)	Load (lbs.)	Spring Rate (lbs./in.)	CPM	HZ
40	1,180	1,008	174	2.89
60	1,750	1,417	169	2.81
80	2,350	1,846	166	2.77
100	3,010	2,257	163	2.71



See page 12 for instructions on how to use chart.

Force Table (Use for Airstroke® actuator design)						
Assembly Height (in.)	Volume @ 100 PSIG (in ³)	Pounds Force				
		@20 PSIG	@40 PSIG	@60 PSIG	@80 PSIG	@100 PSIG
5.0	207	460	840	1,290	1,730	2,270
4.0	173	740	1,440	2,150	2,870	3,640
3.0	130	890	1,760	2,650	3,550	4,520