

# BLOWING GUN WITH VARIABLE AND BOOSTER POSITION



## REPLACES BLOWING GUNS WITHOUT NOZZLES

With blowing pipe diameters 3 - 4 mm  
1/8"

## BENEFITS

Noise reduction – Halves the noise level  
Air consumption reduction – 20 - 50%  
Safety nozzle – Meets OSHA standards

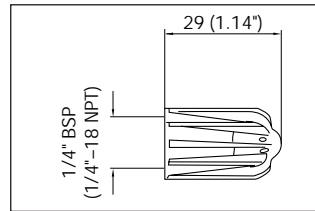
The Silvent 008 produces a broad and powerful air cone, making it especially efficient for sweeping over large areas. The flanges surrounding the nozzle accelerate the ambient air and amplify the blowing force. The design of the valve is identical to the one used in Silvent's 007 gun, providing a two-step system with variable and booster positions. The handle allows both top and bottom supply connection and features a modern soft-grip material that is easy on both the hand and wrist. The 008 meets OSHA safety regulations. Patented.

## ACCESSORY

- Self-coiling spiral hose

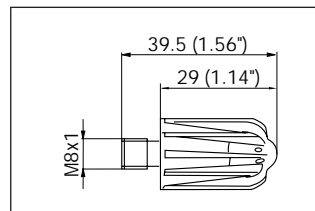
Further information in: Accessories.

## SPARE PARTS



### Nozzle 2120

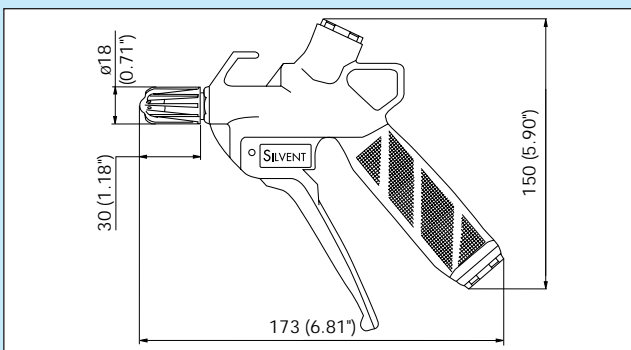
Zinc nozzle for the 008 and 501 gun.



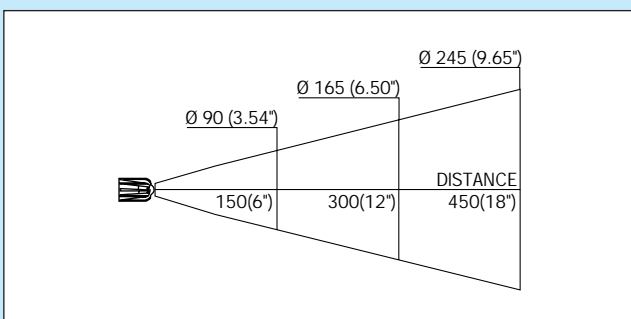
### Nozzle 2121

Zinc nozzle including adapter for the 008 and 501 gun.

## DIMENSIONS



## AIR CONE PATTERN



## PRODUCT INFORMATION

ORDER NO./ MODEL	008	
Replaces open pipe	mm	4
	"	1/8
Air consumption variable position	Nm <sup>3</sup> /h	12
	scfm	7.1
Air consumption booster position	Nm <sup>3</sup> /h	17
	scfm	10.0
Sound level variable	dB(A)	75
Sound level booster	dB(A)	80
Blowing force variable position	N	1.7
	oz	6.0
Blowing force booster position	N	3.0
	oz	10.6
Max. temp.	°C	-20/+70
	°F	-4/+158
Weight	g	220
	lbs	0.48
Connection	BSP	1/4"
	NPT	1/4"-18
Nozzle material	Zinc	

Further information in: Technical specifications.

Max. operating pressure: 1.0 MPa (143 psi)