

Model 930

KUNKLE

ASME Section IV 'Steam' Standard, 'HV', National Board Certified

Features

- **Extra high capacity** for industrial, commercial and residential low pressure steam heating boilers.
- **Large seat area/guide area ratio, along with disc pivot design** ensures optimum valve performance.
- **Lapped valve seats** for optimum performance.
- **Reversible lift lever** for 'pull-up' or 'pull-down' manual testing.
- **Every valve 100% tested/inspected** for pressure setting and leakage.
- **All adjustments are factory sealed** to prevent tampering or disassembly.

Applications

- Low pressure steam heating boilers
ASME Code Section IV.

Pressure and Temperature Limits

15 psig only [1 barg]
250°F [121°C]



tyco / Flow Control

Total Flow Control Solutions™

Kunkle is either a trademark or registered trademark of Tyco International Services AG or its affiliates in the United States and/or other countries. All other brand names, product names, or trademarks belong to their respective holders.

Model 930

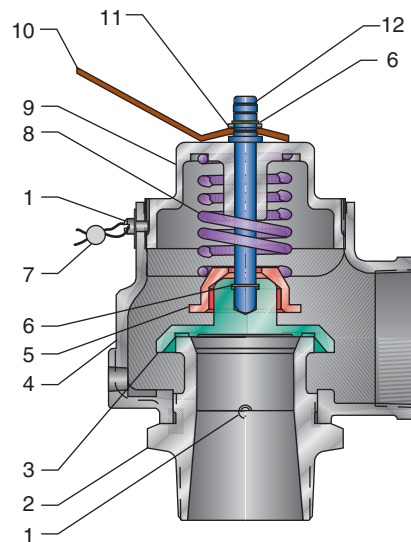
ASME Section IV 'Steam' Standard, 'HV', National Board Certified

Parts and Materials

No.	Part Name	Materials
1	Set Screw	SS
2	Nozzle	Bronze, B584 Alloy 84400
3	Disc	Bronze, B584 Alloy 84400
4	Body	Cast Iron, A126 Class A or B ¹
5	Step Spring	Brass B16
6	Snap Ring	SS, A151
7	Wire and Seal	SS wire and Lead seal
8	Spring	Steel, A231 Aluminum Coated
9	Compression Screw Guide	Bronze, B584 Alloy 84400
10	Lever	Steel
11	Lift Washer	Brass, B16
12	Stem	SS, A582-303

Note

1. Finish heat resistant gray primer paint.

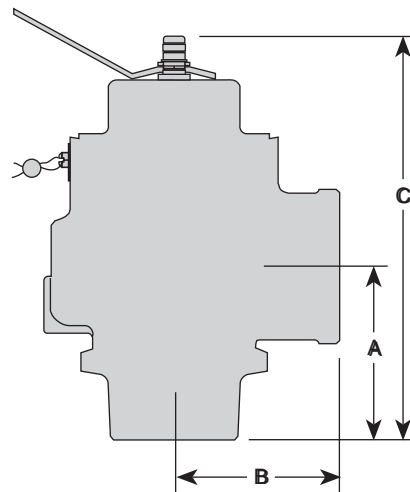


Specifications¹

Valve Size	Dimensions, in			Weight lb	Orifice Area in ²	Capacity lb/h
	A	B	C			
2"	3 ¹ / ₈	3	7 ¹ / ₄	8	2.16	3161
2 ¹ / ₂ "	3 ³ / ₄	3 ¹ / ₂	8 ¹ / ₄	12	3.08	4497
3"	4 ¹ / ₄	4	8 ³ / ₄	19	4.75	6942

Note

1. ASME Section IV Steam (English, lb/h):
Set Pressure = 15 psig, Flow Coefficient = 0.818.



Model Number/Order Guide

Model Number Position: 1 2 3 4 5 6 7 8 9 10 11 12 13 14 15

Example: 0 9 3 0 — H 0 1 — G C 0 0 1 5

Model 0930

Inlet Size: H - 2-inch, J - 2¹/₂-inch, K - 3-inch

Facility Phone: 828-669-3700

Tyco Valves & Controls

www.kunklevalve.com

Tyco Flow Control (TFC) provides the information herein in good faith but makes no representation as to its comprehensiveness or accuracy. This data sheet is intended only as a guide to TFC products and services. Individuals using this data sheet must exercise their independent judgment in evaluating product selection and determining product appropriateness for their particular purpose and system requirements. TFC MAKES NO REPRESENTATIONS OR WARRANTIES, EITHER EXPRESS OR IMPLIED, INCLUDING WITHOUT LIMITATION ANY WARRANTIES OF MERCHANTABILITY OR FITNESS FOR A PARTICULAR PURPOSE WITH RESPECT TO THE INFORMATION SET FORTH HEREIN OR THE PRODUCT(S) TO WHICH THE INFORMATION REFERS. ACCORDINGLY, TFC WILL NOT BE RESPONSIBLE FOR DAMAGES (OF ANY KIND OR NATURE, INCLUDING INCIDENTAL, INDIRECT, OR CONSEQUENTIAL DAMAGES) RESULTING FROM THE USE OF OR RELIANCE UPON THIS INFORMATION. Patents and Patents Pending in the U.S. and foreign countries. Tyco reserves the right to change product designs and specifications without notice.