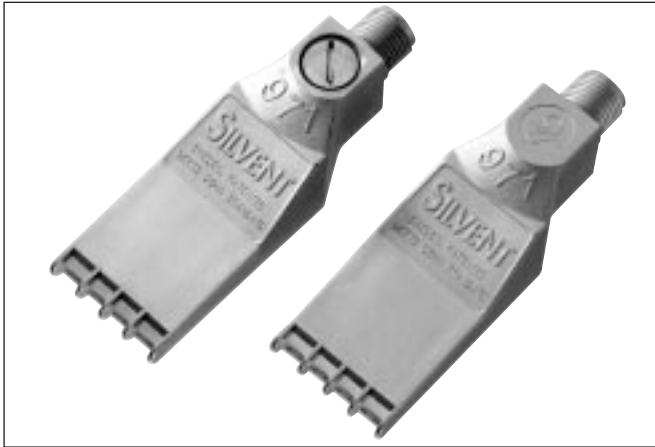


STAINLESS STEEL FLAT NOZZLE 971



Silvent 971 is a flat nozzle made entirely of stainless steel. It fulfills virtually every demand industry places upon a modern blowing nozzle. Two variations are available – with or without flow regulation. Built-in flow regulation allows optimal utilization of compressed air. Adjusting the blowing force minimizes both energy consumption and the noise level.

The design of the nozzle creates an air stream with a broader striking surface, clearly an advantage when wide objects must be dried, sorted or cleaned. The 971 is capable of withstanding high ambient temperatures and corrosive chemical environments as well as satisfying the hygienic requirements of the food processing industry. Fully meets OSHA safety regulations. Patented.

REPLACE OPEN PIPE OF DIAMETERS:



0 - 4 mm

0 - 1/8"

BENEFITS

Reduces the noise level – 0 - 16 dB(A)

Decreases air consumption – 10 - 30 %

Safety nozzles – Meet OSHA standards

ACCESSORY

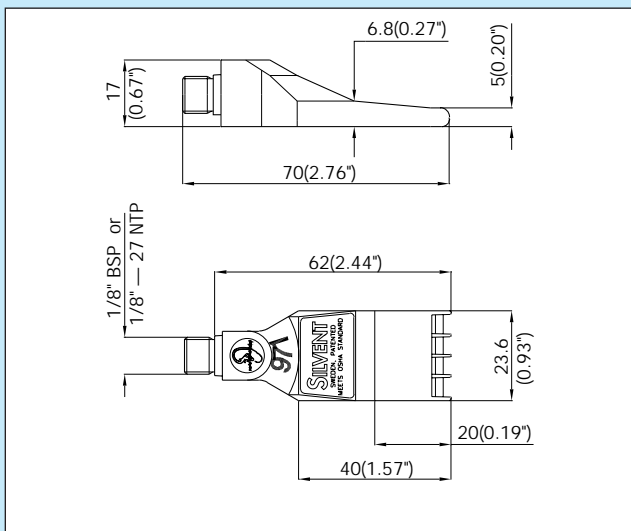
ADJUSTABLE SWIVEL JOINT



An adjustable swivel joint for setting the direction of the air cone. The joint enables easy fine-tuning of the blowing angle without affecting other fixed equipment. Correct adjustment of the blowing angle results in a lower noise level and increased efficiency.

Additional information in tab: Accessories

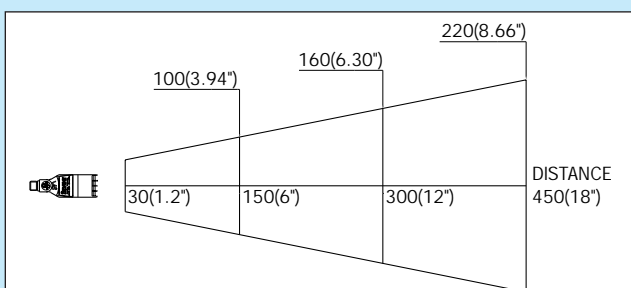
DIMENSIONS



PRODUCT INFORMATION

ORDER NO./MODEL		971	971F
Replaces open pipe	mm	4	0-4
	"	1/8	0-1/8
Air consumption	Nm ³ /h	21	0-21
	SCFM	12.4	0-12.4
Sound level	dB(A)	81	0-81
Blowing force	N	3.8	0-3.8
	Oz	13.4	0-13.4
Max. temp.	°C	-20/+400	-20/+400
	°F	-4/+752	-4/+752
Weight	g	50	56
	lbs	0.110	0.123
Nozzle material	Stainless steel		

AIR CONE PATTERN



Further information in tab: Technical specifications

Max. operating pressure: 1.0 MPa (143 psi)