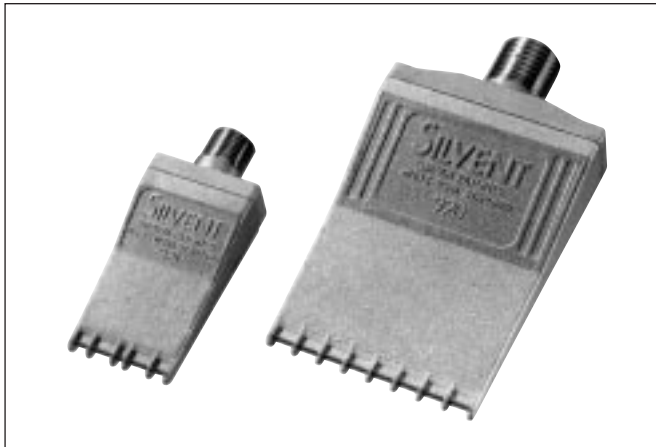


FLAT NOZZLES FOR FIXED INSTALLATION



Silvent 920 and 921 are flat nozzles designed to generate a broad and efficient band of air. They are outstanding for use wherever a wide but thin striking surface is required. Flat nozzles are suitable for most areas of application, such as: drying, transporting, cooling, cleaning etc. These nozzles are often used in manifold systems, providing silent and highly efficient air knives. The 920 and 921 are made of zinc. Their exhaust ports are protected from external forces by flanges. Both nozzles fully comply with OSHA safety regulations. Patented.

Additional information in tab: Accessories

REPLACE OPEN PIPE OF DIAMETERS:



3 - 6 mm

1/8" - 1/4"

BENEFITS

Reduces the noise level - 14 - 24 dB(A)

Decreases air consumption - 15 - 55 %

Safety nozzles - Meet OSHA standards

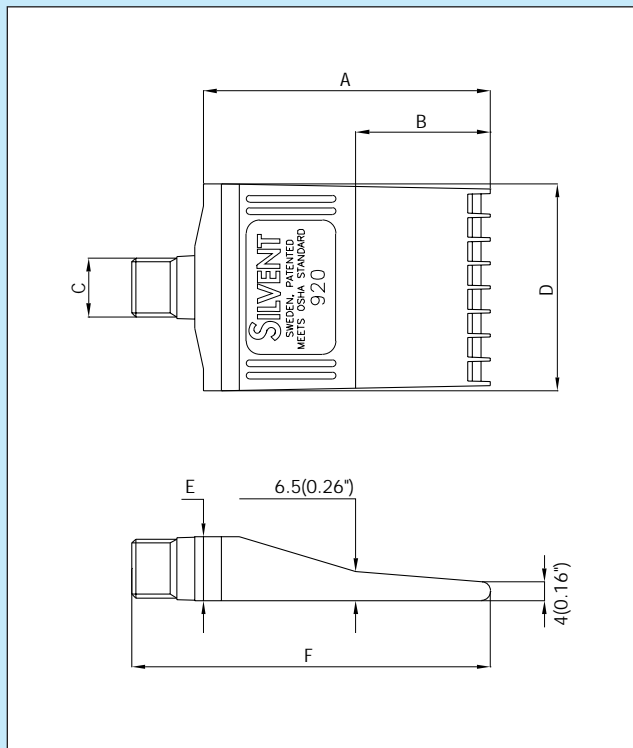
ACCESSORY

ADJUSTABLE SWIVEL JOINT



An adjustable swivel joint for setting the direction of the air cone. The joint enables easy fine-tuning of the blowing angle without affecting other fixed equipment. Correct adjustment of the blowing angle results in a lower noise level and increased efficiency.

DIMENSIONS



* 920A - Male thread 920B - Female thread

PRODUCT INFORMATION

ORDER NO./MODEL		920A	920B	921
A	mm	64	64	44
	"	2.52	2.52	1.73
B	mm	32	32	22
	"	1.26	1.26	0.87
C*	BSP	1/4"	1/4"	1/8"
	NPT	1/4"-18	1/8"-27	1/8"-27
D	mm	46.3	46.3	23.9
	"	1.82	1.82	0.94
E	mm	14.3	14.3	11
	"	0.56	0.56	0.43
F	mm	80	80	55
	"	3.15	3.15	2.17

Replaces open pipe	mm	6	6	4
	"	1/4	1/4	1/8
Air consumption	Nm ³ /h	30	30	17
	SCFM	17.7	17.7	9.7
Sound level	dB(A)	81	81	80
Blowing force	N	5.5	5.5	3.0
	Oz	19.4	19.4	10.6
Max. temp.	°C	-20/+70	-20/+70	-20/+70
	°F	-4/+158	-4/+158	-4/+158
Weight	g	120	120	38
	lbs	0.26	0.26	0.084
Nozzle material	Zinc			

APPLICATIONS

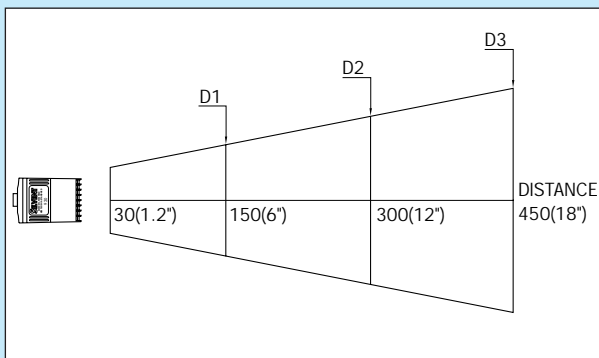


Optimal Dimensions of Montana, USA, uses Silvent 920s to blow away water prior to measuring surface regularity. The water must be removed entirely before a laser is used to measure the quality of the polished surface.



ALSAPAN in France uses an efficient custom manifold (Silvent 380 special, 40x40 aluminum profile – see reverse side of page) with flat nozzles to blow parquet blocks clean before varnishing.

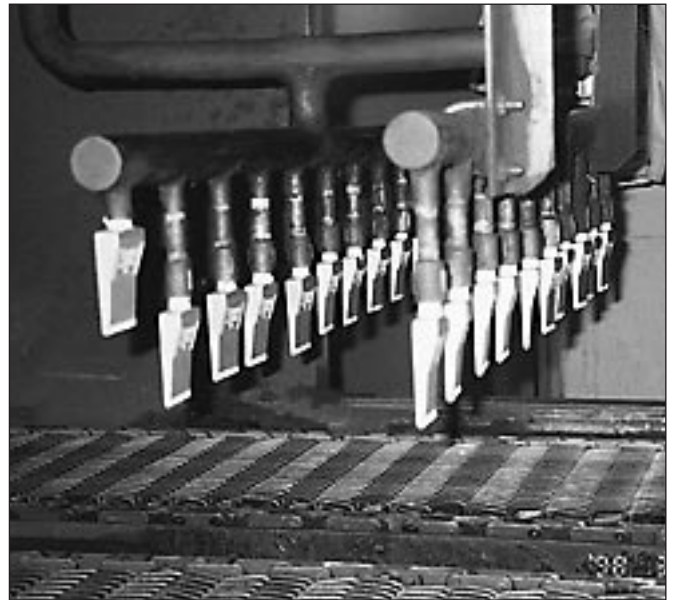
AIR CONE PATTERN



ORDER NO./MODEL	D1		D2		D3	
	mm	"	mm	"	mm	"
921	100	3.93	160	6.30	215	8.46
920	120	4.72	180	7.09	235	9.25

Further information in tab: Technical specifications

Max. operating pressure: 1.0 MPa (143 psi)



Japan's national railway "Shinkansen" uses a number of Silvent 920 flat nozzles to clean filters in their trains.