

MULTI-UNITS



The 400 series is used for applications requiring high blowing force, such as, for instance, removing parts from punch presses or molds. Drying, transport, and cooling are other typical areas of application for this product. The series includes three standard sizes: 404 = 4 nozzles, 407 = 7 nozzles, and 412 = 12 nozzles. Blowing forces of up to 50 N are attainable. Meets OSHA safety standards. Patented.

REPLACE OPEN PIPE OF DIAMETERS:



8 - 16 mm

3/8" - 5/8"

BENEFITS

Reduces the noise level 15 - 19 dB(A)

Decreases air consumption 36 - 52 %

Safety nozzle Meets OSHA standards

ACCESSORY

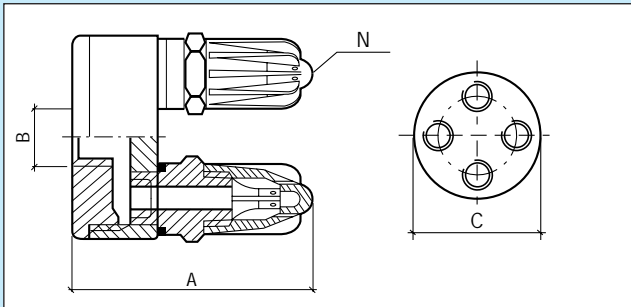


UBJ

An adjustable joint for the 400, 1100, and 1200 series. Since the joint permits adjustment to any angle, fixed installations can be set to the most efficient blowing angle. The desired position can then be locked with an Allen set screw. 3/4" connection.

Further information in: Accessories.

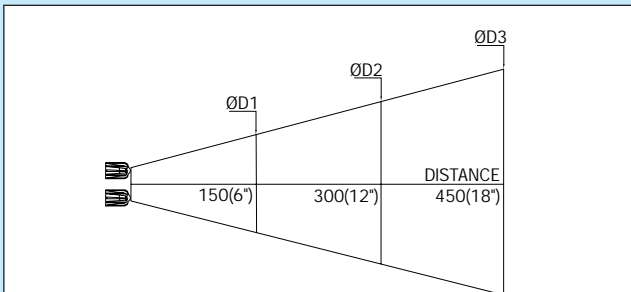
DIMENSIONS



PRODUCT INFORMATION

ORDER NO./ MODEL		404	407	412	
A	mm	63	66	69	
	"	2.48	2.60	2.72	
B	BSP	3/8"	1/2"	3/4"	
	NPT	3/8"-18	1/2"-14	3/4"-14	
C	mm	55	67	92	
	"	2.17	2.64	3.62	
Nozzles = N		pcs.	4	7	12

AIR CONE PATTERN



ORDER NO./ MODEL	Ø D1		Ø D2		Ø D3	
	mm	"	mm	"	mm	"
404	140	5.51	220	8.66	310	12.20
407	160	6.30	260	10.24	360	14.17
412	210	8.27	325	12.80	450	17.72

Replaces open pipe	mm	8	12	16
	"	3/8	1/2	5/8
Air consumption	Nm ³ /h	76	133	228
	scfm	44.8	78.3	134.3
Sound level	dB(A)	86	89	92
Blowing force	N	14.0	24.5	42.0
	oz	49.4	86.5	148.3
Max. temp.	°C	-20 / +70	-20 / +70	-20 / +70
	°F	-4 / +158	-4 / +158	-4 / +158
Weight	g	280	475	900
	lbs	0.62	1.04	1.98
Nozzle material		Zinc		

Further information in: Technical specifications.

Max. operating pressure: 1.0 MPa (143 psi).

APPLICATIONS



The picture shows an application at Metron Steel in Illinois, USA. Here, 6 Silvent 412s are mounted on adjustable 3/4" swivel joints. The joints allow optimum positioning of each 412. Silvent's nozzles are used to blow the steel sheet free of dust and moisture before it passes on to a leveling device and precutting. The air cone generated by the Silvent 412s effectively cleans the steel. Air consumption has been reduced by 68% in relation to the open pipe blowing previously used.



In this application for ejecting parts from a press, a noise level reduction of more than 50% was attained when open pipe was replaced by the Silvent 404.



The Silvent 407 is used by Jaguar in Castle Bromich to blow their cars clean prior to painting.



The picture shows a blow-off station for plastic pipe. Silvent 407 nozzle is mounted on a pneumatic rotor arm. The arm is automatically regulated and moves to the opening of the pipe to blow out the long pieces.