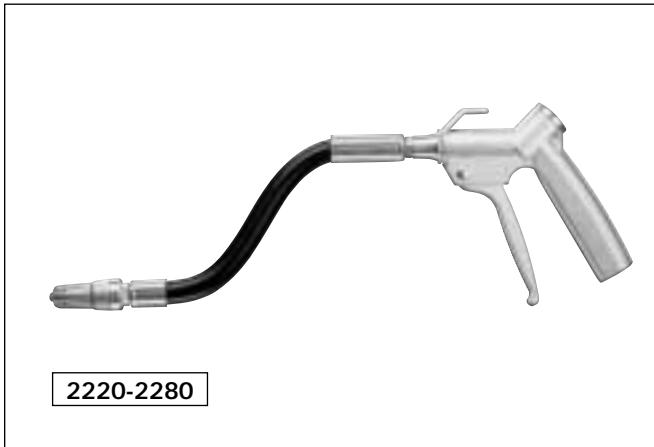


# SAFETY GUN WITH AN ADJUSTABLE HOSE



2220-2280

## REPLACES AIR GUNS WITHOUT NOZZLES

With blowing pipe diameters 3 - 4 mm  
1/8"

## BENEFITS

- Noise reduction – Halves the noise level
- Air consumption reduction – 20 - 50%
- Safety nozzle – Meets OSHA standards

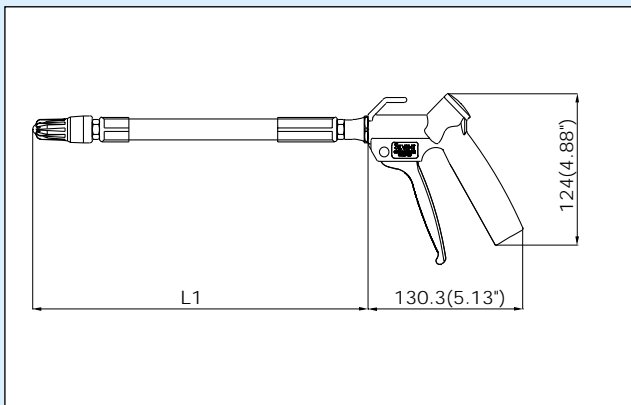
Silvent FLEXGUN 2220-2280 is a larger model of Silvent Flexgun 520-580. The grip is fitted with a larger bendable hose and a more powerful hole nozzle. The hose will not wander, even when blowing under high pressure. Used in blowing operations where it is hard to reach with a conventional air gun and in applications that may involve direct risk to the operator. Patented.

Fully meets the EU Machine Directive's noise limitation requirements and OSHA's safety regulations.

## ACCESSORIES

- Self-coiling spiral hose, see tab: Accessories

## DIMENSIONS

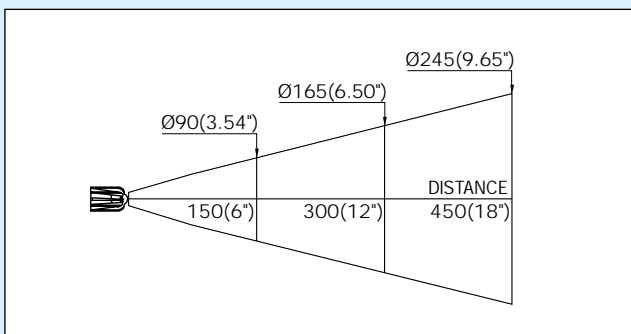


ORDER NO. /MODEL	2220	2230	2240	2250	2260	2280
L1	207	307	407	507	607	807
	8.15	12.09	16.02	19.96	23.90	31.77

## PRODUCT INFORMATION

ORDER NO./MODEL	2220-2280	
Nozzle	208	
Replaces open pipe	mm	4
	"	1/8
Air consumption	Nm <sup>3</sup> /h	19
	scfm	11.2
Sound level	dB(A)	80
Blowing force	N	3.5
	oz	12.4
Max. temp.	°C	-20/+70
	°F	-4/+158
Weight	g	370 - 600
	lbs	0.81 - 1.32
Connection	BSP	3/8"
	NPT	3/8" - 18
Nozzle material	Zinc	

## AIR CONE PATTERN



Further information in tab: Technical specifications.

Operating pressure: 0.2 MPa (28.6 psi) - 1.0 MPa (143 psi)