

SAFETY GUN WITH POWERFUL BLOWING FORCE



2055-A

REPLACES AIR GUNS WITHOUT NOZZLES

With blowing pipe diameters 8 - 10 mm
5/16" - 3/8"

BENEFITS

- Noise reduction – Halves the noise level
- Air consumption reduction – 20 - 50%
- Safety nozzle – Meets OSHA standards

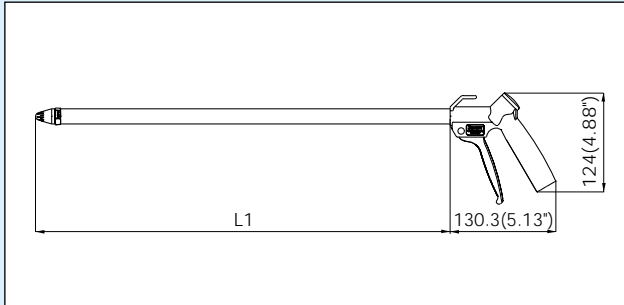
SILVENT 2055-A is a safety gun fitted with an aerodynamic aluminum nozzle that offers a blowing force that is equivalent to 5 conventional air guns. Despite this exceptional blowing force, the sound level it generates is comparable to that of an ordinary gun.

This safety gun is a part of Silvent's new 2000 series of aluminum guns – a series that is highly versatile, lightweight and user-friendly. The grip features a new, modern and practical design that can be fitted with various types of safety nozzles, extension pipes, safety accessories etc. Everything needed to make compressed air blowing as safe, quiet and energy efficient as possible. Equipped with an

extension pipe, these guns are ideal for "hard-to-reach" applications and operations that are more demanding than those where standard guns are normally used. A properly dimensioned extension pipe protects the face from dangerous flying debris and splattering and allows the operator to maintain a more ergonomically correct working posture. For even more difficult and demanding blowing operations, the aluminum nozzle can be replaced with a robust stainless steel safety nozzle (2055-S). Patented.

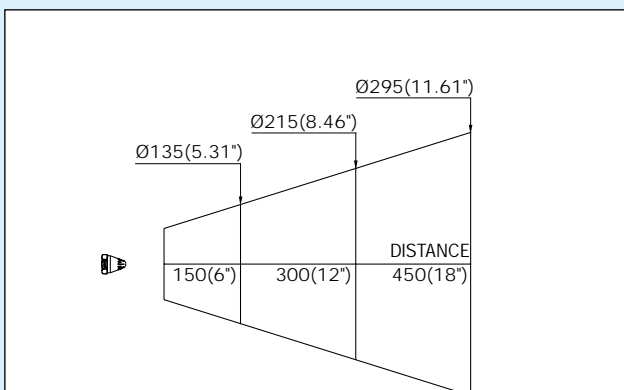
Fully meets the EU Machine Directive's noise limitation requirements and OSHA's safety regulations.

DIMENSIONS



ORDER NO. /MODEL	2055-A	2055-A -150	2055-A -500	2055-A -1000	2055-A -1500	2055-A -2000
L1	mm 49	163	513	1013	1513	2013
	" 1.93	6.42	20.20	39.88	59.57	79.25

AIR CONE PATTERN



Cone pattern for 2055-S, see 755-S.

PRODUCT INFORMATION

ORDER NO./MODEL		2055-A	2055-S
Nozzle		2005	705
Replaces open pipe	mm	8	10
	"	5/16	3/8
Air consumption	Nm ³ /h	92	95
	scfm	54.2	55.9
Sound level	dB(A)	93	92
	N	13.5	15.0
Blowing force	oz	47.7	52.9
	°C	-20/+70	-20/+70
Max. temp.	°F	-4/+158	-4/+158
	g	240	280
Weight	lbs	0.53	0.62
	Connection	BSP	3/8"
NPT		3/8"-18	3/8"-18
Nozzle material		Aluminum	Stainless steel

Further information in tab: Technical specifications.

Operating pressure: 0.2 MPa (28.6 psi) - 1.0 MPa (143 psi)

If your application requires extreme resistance to wear, we recommend the SILVENT 2055-S with its stainless steel nozzle. The nozzle can withstand nearly any existing application. It is designed with aerodynamic slots to use compressed air optimally and generate as little sound as possible. The blowing force is equivalent to the aluminum nozzle on our standard 2000 series gun. Patented.

Fully meets the EU Machine Directive's noise limitation requirements and OSHA's safety regulations.

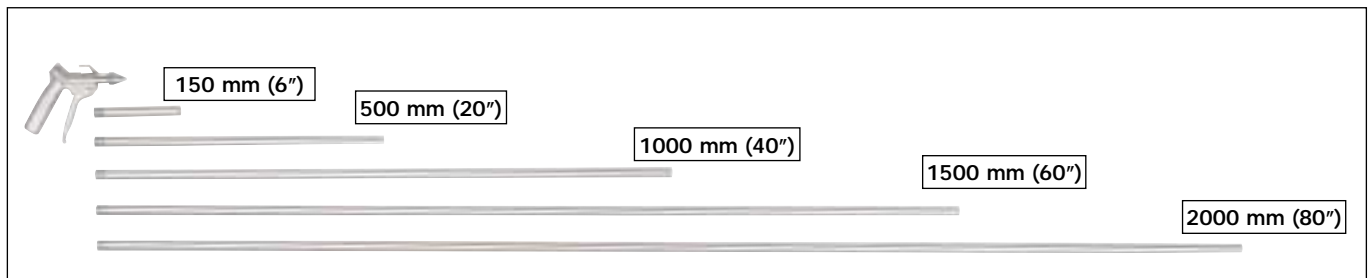
Extension pipes in 6 lengths

The 2000 series guns are available in six different versions – five with an extension pipe and one with the nozzle mounted directly on the pistol grip. Select a gun with an extension pipe of appropriate length and you will assure yourself of a comfortable and safe working posture. These extension pipes are made of aluminum. Other materials are available upon request. Indicate the extension pipe length in mm last in the order number. Pistol grip-extension pipe length: e.g. 2055-A-2000.

FOR INTENSIVE WEAR



2055-S



ACCESSORIES

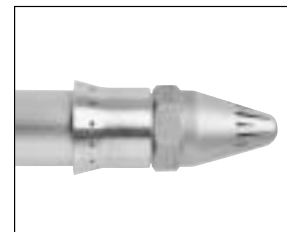


PLASTIC SAFETY SHIELDS Effectively protects the eyes and body from spattering and flying chips when, for example, cleaning out blind holes.

Material: Polycarbonate

Meets OSHA's regulations for safe blowing.

Order number: 592



AIR SHIELDS Prevents spattering and chips from striking the body and eyes. Especially suitable in confined spaces.

Material: Aluminum

Meets OSHA's regulations for safe blowing.

Supplied pre-mounted at the factory. Specify with an additional designation at the end of the order no: e.g. 2055-A-AS3.



SPIRAL HOSES Silvent offers a large selection of self-coiling spiral hoses. These hoses are available in 3 different qualities and have been pressure drop tested for optimal compatibility with Silvent's safety guns.

Further information in tab: Accessories.



SG-2000 SOFTGRIP This synthetic rubber handle may be ordered as an accessory for any gun in the 2000 series. The material is easy on the hand and insulates against both heat and cold.

Order number: SG-2000