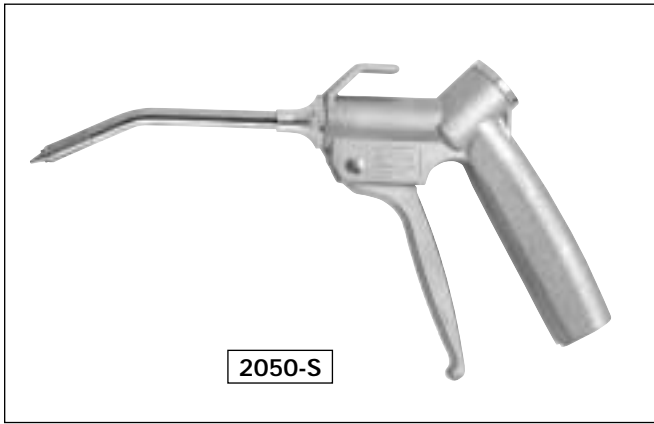


SAFETY GUN FOR PRECISION BLOWING



SILVENT 2050-S with its stainless steel nozzle is an extremely tough but, at the same time, handy aluminum gun. The perfect choice whenever durability is more important than a lot of technical finesse. The standard version of this gun is fitted with a durable stainless steel nozzle with a solid tip that will withstand even the toughest conditions. Patented.

Fully meets the EU Machine Directive's noise limitation requirements and OSHA's safety regulations.

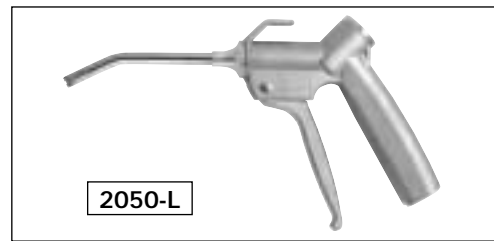
REPLACES AIR GUNS WITHOUT NOZZLES

With blowing pipe diameters 3 - 4 mm
1/8"

BENEFITS

Noise reduction – Halves the noise level
Air consumption reduction – 20 - 50%
Safety nozzle – Meets OSHA standards

WITH A LAVAL NOZZLE FOR CONCENTRATED CLEANING POWER



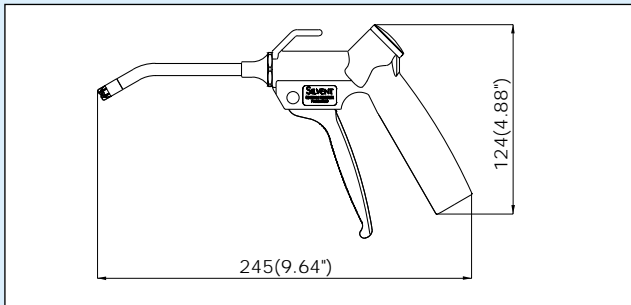
SILVENT 2050-L with a Laval nozzle is an alternative to the stainless steel nozzle described above. The Laval hole in the center of the nozzle provides excellent cleaning properties. Suitable for applications where exposure to mechanical wear is not as great as environments requiring 2050-S. Patented.

Fully meets the EU Machine Directive's noise limitation requirements and OSHA's safety regulations.

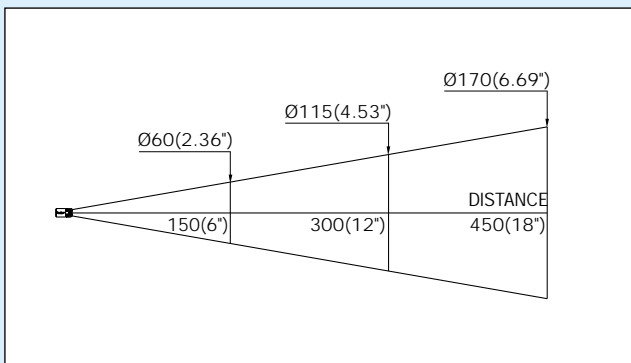
ACCESSORIES

- Safety shield, see 007-L safety gun
- Air shield, see 007-L safety gun
- Self-coiling spiral hose, see tab: Accessories
- Extension pipe lengths, see 007-L safety gun

DIMENSIONS



AIR CONE PATTERN



PRODUCT INFORMATION

ORDER NO./MODEL	2050-S	2050-L
Nozzle	0071	1001
Replaces open pipe	mm	4
	"	1/8"
Air consumption	Nm ³ /h	19
	scfm	11.2
Sound level	dB(A)	79
Blowing force	N	3.2
	oz	11.3
Max. temp.	°C	-20/+70
	°F	-4/+158
Weight	g	260
	lbs	0.57
Connection	BSP	3/8"
	NPT	3/8"-18
Nozzle material	Stainless steel	

Further information in tab: Technical specifications.

Operating pressure: 0.2 MPa (28.6 psi) - 1.0 MPa (143 psi)