

# AIR BAZOOKA WITH CONCENTRATED BLOWING FORCE



4015-LF

## REPLACES OPEN PIPE WITH A DIAMETER OF:



14 - 25 mm

5/8" - 1"

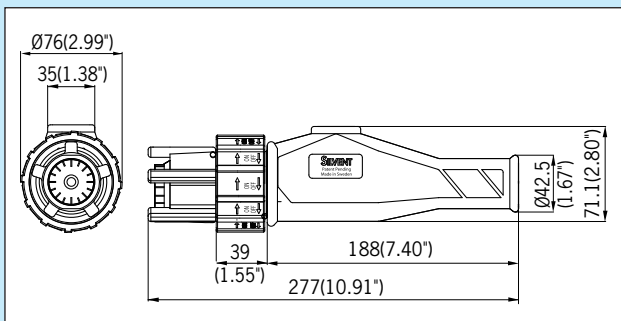
## BENEFITS:

|                       |                         |
|-----------------------|-------------------------|
| Noise level reduction | 6 - 13 dB(A)            |
| Air savings           | 14 - 54 %               |
| Safety nozzle         | Meets OSHA requirements |

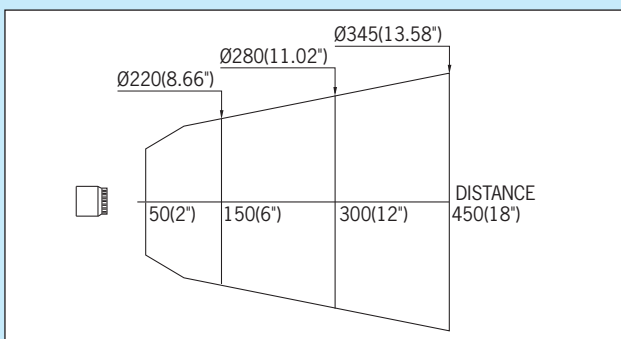
The introduction of the Silvent 4000 constitutes an entirely new concept within blowing technology. Silvent has succeeded in combining highly concentrated blowing force with an easily maneuverable valve construction and low sound level. The nozzle has a patented design with a Laval orifice in its center surrounded by a ring of slots, providing a low-turbulence air stream that means a low sound level and allowing maximum utilization of the energy of the core stream. The valve is power-steered, making it easy to operate with just one hand. A light press of a thumb or finger is all that is needed. The rubber insulation on the handle gives a firm grip while protecting the hand against both heat and cold. The valve features a "dead man's grip" so that it closes instantly if the handle is dropped. The Silvent high-force Bazooka 4000 makes optimal use of your compressed air. The effect is achieved by surrounding a core stream traveling at supersonic speed with a protective film of air moving parallel with the flow of the core jet. The core stream of the Silvent 4000 is generated by a Laval nozzle. The design of this nozzle converts all the energy stored in the compressed air into kinetic energy

without allowing the air stream to expand laterally after passing through the nozzle. The protective film of air generated by the slots prevents the core stream from being slowed down by the surrounding air, providing full effect, as well as counteracting turbulence and thereby lowering the sound level. The nozzle is made of stainless steel, which makes it suitable for use in practically any environment where extra high blowing force is required, e.g. the paper and manufacturing industries, steel mills and other industrial sectors. The bazooka is available in two models, with and without adjustable blowing force. For applications that require regulation of the blowing force we recommend our model 4000-LF. The blowing force can then be easily adjusted to any strength between ~10-100%. For applications that demand the maximum force 100% all the time, choose 4000-L. A variation of the bazooka without the Laval central orifice, 4010-S/4010-SF is available for less demanding applications. It generates a force of 30N. Patented. **All three models comply with both the noise limitation requirements of the EU Machine Directives and OSHA safety regulations.**

## DIMENSIONS



## AIR CONE PATTERN



## PRODUCT INFORMATION

| ORDER NO. / MODEL  | Adjustable         | 4010-SF   | 4015-LF   | 4020-LF   |
|--------------------|--------------------|-----------|-----------|-----------|
|                    | Non adjustable     | 4010-S    | 4015-L    | 4020-L    |
| Nozzle             |                    | 4110      | 4115      | 4120      |
|                    | mm                 | 14        | 20        | 25        |
| Replaces open pipe | "                  | 5/8       | 3/4       | 1         |
|                    | Nm <sup>3</sup> /h | 216       | 312       | 532       |
| Air consumption    | scfm               | 127.2     | 183.8     | 313       |
|                    | Sound level        | dB(A)     | 99        | 104       |
| Blowing force      |                    | N         | <30       | <54       |
|                    | oz                 | <105.9    | <190.6    | <352      |
|                    | °C                 | -20/+70   | -20/+70   | -20/+70   |
| Max. temp.         | °F                 | -4/+158   | -4/+158   | -4/+158   |
|                    | Weight             | g         | 1090      | 1090      |
| lbs                |                    | 2.4       | 2.4       | 2.4       |
| Connection         | BSP                | 3/4"      | 3/4"      | 3/4"      |
|                    | NPT                | 3/4" - 14 | 3/4" - 14 | 3/4" - 14 |
| Nozzle material    | Stainless steel    |           |           |           |

\* Weight without adjustability = -300 g ( 0.7 lbs )

Operating pressure: 0.4 MPa (57.2 psi) – 1.0 MPa (143 psi)