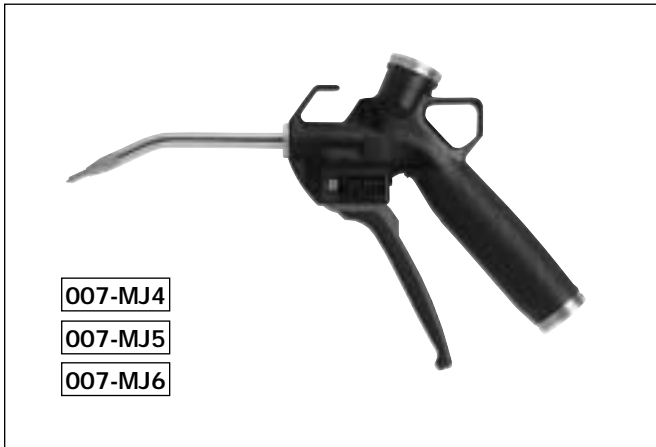


SAFETY GUN WITH A MICRONOZZLE



REPLACES AIR GUNS WITHOUT NOZZLES

With blowing pipe diameters 2 - 3 mm
5/64" - 1/8"

BENEFITS

- Noise reduction – Halves the noise level
- Air consumption reduction – 20 - 40%
- Safety nozzle – Meets OSHA standards

Silvent 007-MJ with Micronozzle offers high precision and low energy consumption. By combining the 007 grip's valve construction and a stainless steel micronozzle you can precisely blow exactly the amount of air required. A central hole in combination with surrounding slots makes the nozzle extremely efficient and quiet. Compared with conventional air guns without a nozzle, an Silvent micronozzle permits you to reduce compressed air consumption by up to 75% and at the same time keep the noise level under 76 dB(A). Patented. Meets noise limitation requirements of the EU Machine Directive.

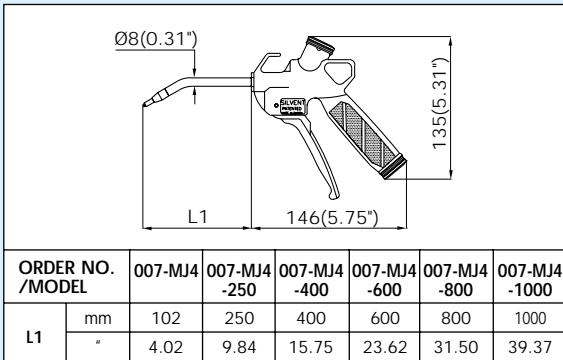


Hasselblad's world famous camera housings are blown clean with high precision and a minimum of compressed air. This is possible thanks to the unique valve design of the 007 grip in combination with a small Micronozzle.

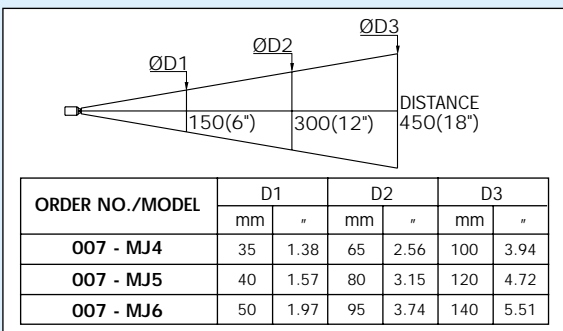
ACCESSORIES

- Safety shield, see 007-L safety gun
- Air shield, see 007-L safety gun
- Self-coiling spiral hose, see tab: Accessories
- Extension pipe lengths, see 007-L safety gun

DIMENSIONS



AIR CONE PATTERN



PRODUCT INFORMATION

| ORDER NO. /MODEL | | 007-MJ4 | 007-MJ5 | 007-MJ6 |
|-----------------------------------|--------------------|---------|---------|---------|
| Nozzle | | MJ4 | MJ5 | MJ6 |
| Replaces open pipe | mm | 2 | 2.5 | 3 |
| | " | 5/64 | 3/32 | 1/8 |
| Air consumption variable position | Nm ³ /h | 4 | 8 | 10 |
| | scfm | 2.4 | 4.8 | 6.0 |
| Air consumption booster position | Nm ³ /h | 4 | 10 | 14 |
| | scfm | 2.4 | 5.9 | 8.2 |
| Sound level variable | dB(A) | 76 | 77 | 79 |
| Sound level booster | dB(A) | 76 | 79 | 82 |
| Blowing force variable position | N | 0.9 | 1.4 | 1.9 |
| | oz | 3.2 | 4.9 | 6.7 |
| Blowing force booster position | N | 0.9 | 1.8 | 2.5 |
| | oz | 3.2 | 6.3 | 8.8 |
| Max. temp. | °C | -20/+70 | -20/+70 | -20/+70 |
| | °F | -4/+158 | -4/+158 | -4/+158 |
| Weight | g | 190 | 190 | 190 |
| | lbs | 0.42 | 0.42 | 0.42 |
| Connection | BSP | 1/4" | 1/4" | 1/4" |
| | NPT | 1/4"-18 | 1/4"-18 | 1/4"-18 |
| Nozzle material | Stainless steel | | | |

Further information in tab: Technical specifications.

Max. operating pressure: 1.0 MPa (143 psi)